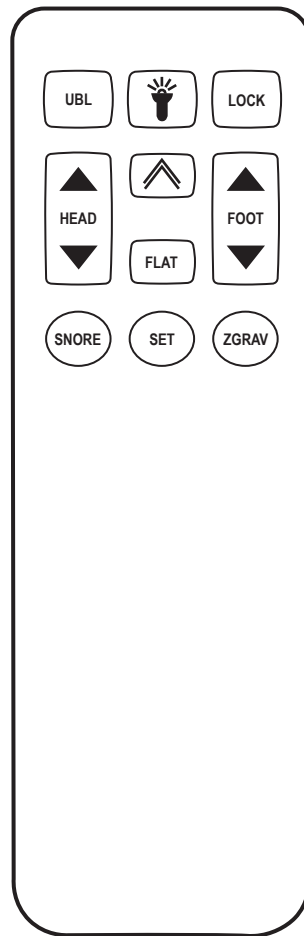
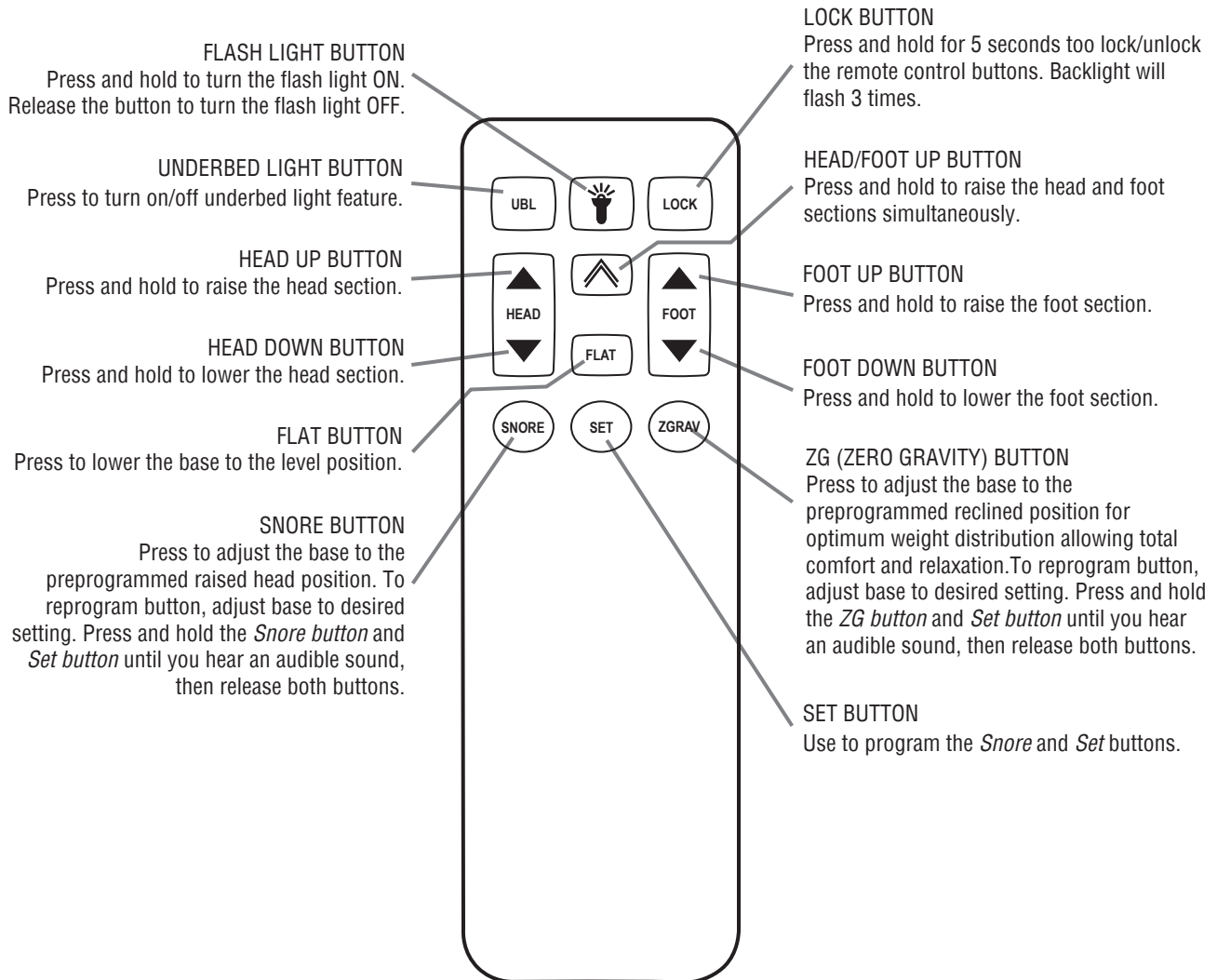


12 Button Remote Control user guide

■ ENGLISH ■ ESPAÑOL ■ FRANÇAIS



REMOTE CONTROL FUNCTION



NOTE

REMOTE CONTROL REQUIRES (3) AAA SIZE BATTERIES. TO CONSERVE BATTERY LIFE, THE TRANSMITTER TURNS OFF ALL FUNCTIONS WHEN ANY BUTTON IS PRESSED FOR MORE THAN 50 SECONDS.

ZG, Snore, and Memory buttons:

To clear programmed settings and revert back to factory settings, simultaneously press and hold the HEAD DOWN button and FLAT button until an audible sound is heard, then release buttons.

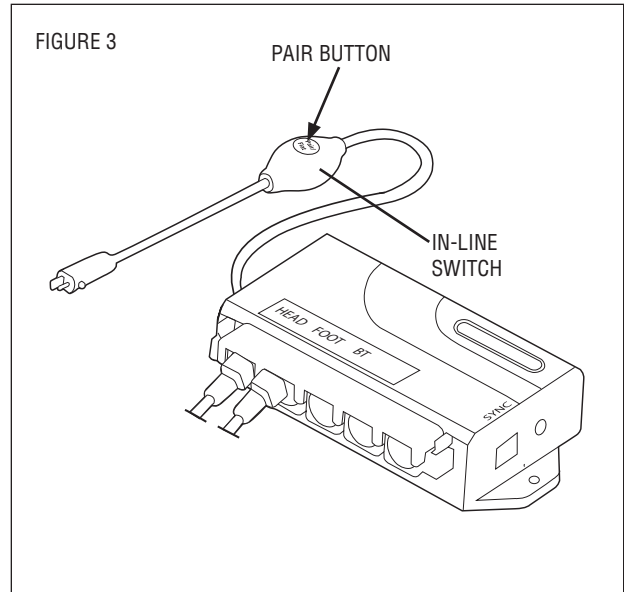
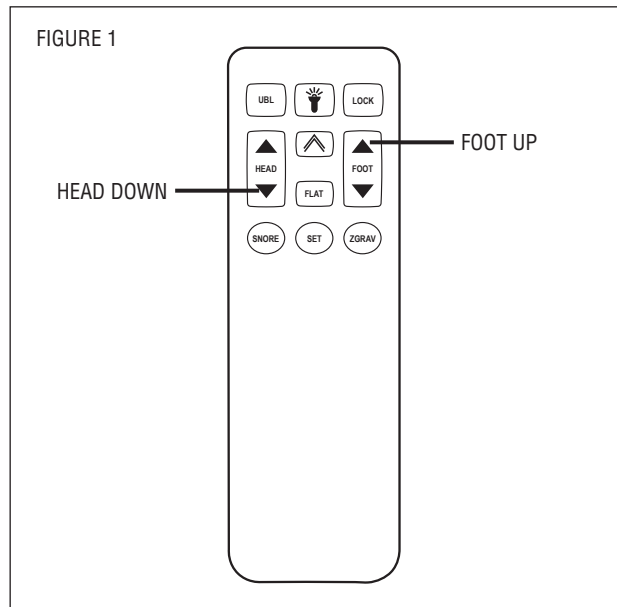
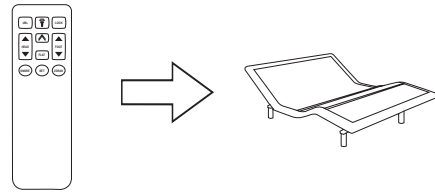
REMOTE CONTROL PROGRAMMING - 1 REMOTE TO OPERATE 1 BASE

STEP 1

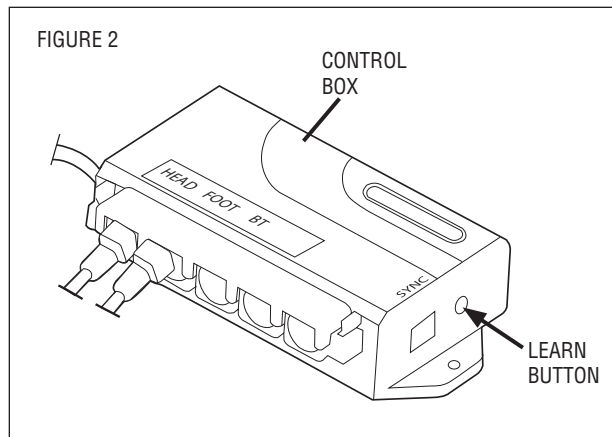
Plug base into power outlet.

STEP 2

Simultaneously press and hold both the HEAD DOWN and FOOT UP buttons on the remote control (FIGURE 1). While holding these buttons, press and hold the LEARN button on the control box (FIGURE 2) or the PAIR button on the in-line switch (FIGURE 3), as equipped. Hold until you hear an audible sound, then release all buttons.



Note: Your base may be equipped with an in-line switch (pair button) (FIGURE 3) as part of the electrical power cord located near the end of the power cord. This can be used in lieu of the learn button on the control box.



STEP 3

Operate the remote control to verify the base functions correctly.

REMOTE CONTROL PROGRAMMING - 1 OR 2 REMOTES TO OPERATE 2 BASES

STEP 1

Plug both bases into power outlet. Operate each base with its respective remote control to verify the base functions properly. Lower both bases to the flat position.

STEP 2

UNPLUG both bases.

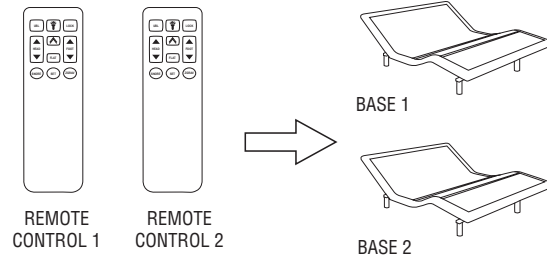
STEP 3

Place both bases on their sides close to each other.

CAUTION: DUE TO RISK OF INJURY, TWO ADULTS ARE REQUIRED TO HANDLE AND MOVE ADJUSTABLE BASE.

STEP 4

Locate the sync cable (FIGURE 4).



STEP 6

Turn both bases over onto their legs.

CAUTION: MAKE SURE SYNC CABLE IS NOT CAUGHT IN BASE OR PINCH POINTS.

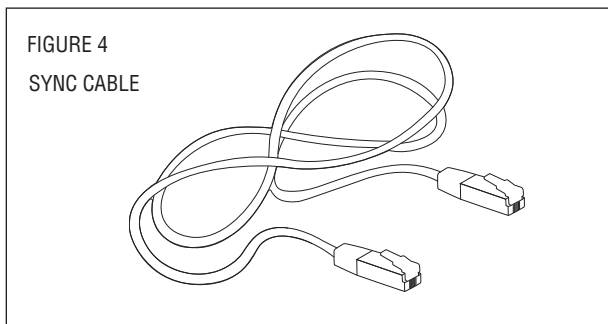
STEP 7

Plug both bases back into power outlet.

STEP 8

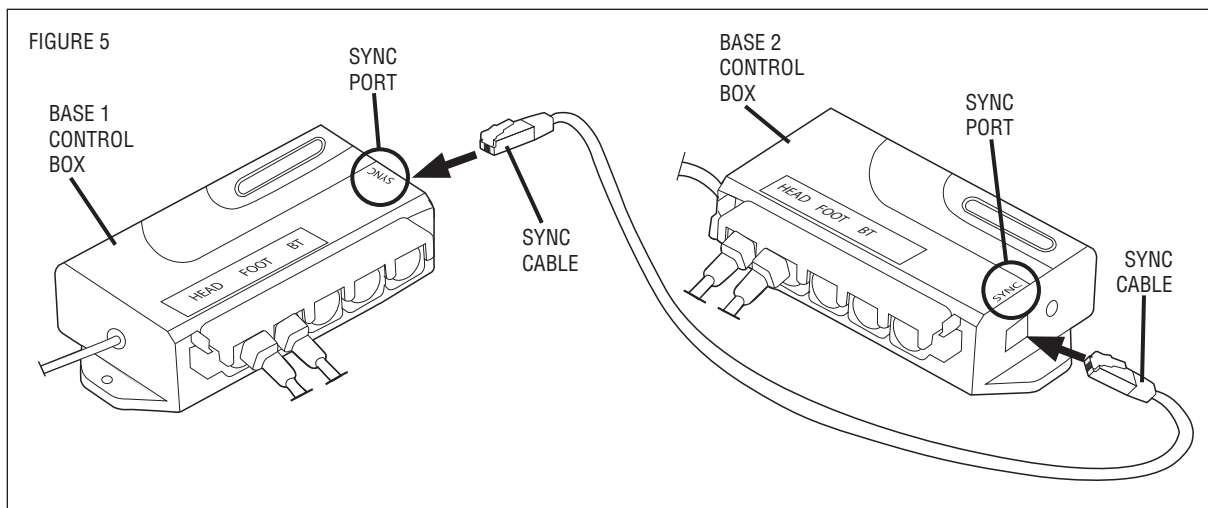
Operate the remote control(s) to verify both bases function correctly. If using only one remote control to operate both bases, store the second remote for use as a spare.

Note: To revert back to 1-to-1 programming, remove sync cable from control boxes.



STEP 5

Plug one end of the sync cable into the sync port (on the control box) of base 1. Plug the other end of the sync cable into the sync port (on the control box) of base 2 (FIGURE 5).



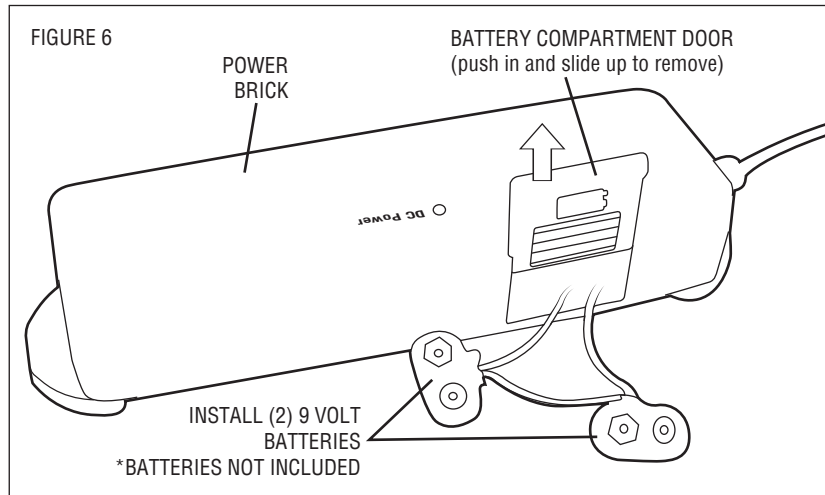
POWER DOWN OPERATION

Your adjustable base, depending on model purchased, may have the following feature. Use this procedure to lower the base to flat during a power outage. Do NOT put batteries in power down device until necessary for use.

Note: Power down device uses 9-volt alkaline batteries, which are not included.

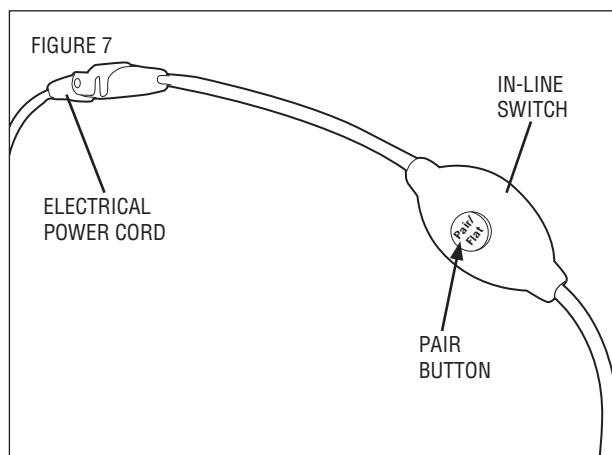
STEP 1

Insert (2) 9-volt alkaline batteries into the power brick (FIGURE 6).



STEP 2

Press the FLAT BUTTON on the remote control or in-line switch (if equipped) (FIGURE 7) to adjust the base to the level position.



STEP 3

Remove batteries from power brick and discard.

Note: Batteries are good for only one use.

When power is restored from outage, base is ready to resume normal operation.

TROUBLESHOOTING

If the adjustable base fails to operate, investigate the symptoms and possible solutions provided in the chart below:

SYMPTOM	SOLUTION
No features of the base will activate.	<ul style="list-style-type: none"> • Program the remote control (see <i>Remote Control Programming</i> section of this manual for programming procedures). • Unplug power cord, wait 30 seconds and plug in to reset electronic components. • Electrical circuit breaker may be tripped. Check electrical service breaker box to verify. • Defective surge protection device or electrical outlet. Test outlet by plugging in another working appliance. • If the base was operated over the rated duty cycle, thermal switch opens. Wait 30 minutes before trying to operate the base. Once the base resumes normal operation, do not exceed the duty cycle.
Remote control backlight does not illuminate.	<ul style="list-style-type: none"> • Replace batteries in remote control.
Head or foot section will elevate, but will not return to the horizontal (flat) position.	<ul style="list-style-type: none"> • Base mechanism may be obstructed. Elevate base and check for obstruction. Remove obstruction. • Head section may be too close to the wall.
Excessive motor noise.	<ul style="list-style-type: none"> • If base is located on hard surface flooring, place carpet pieces or rubber caster cups under each leg or caster of the base. • Elevate the head or foot section a short distance (with the remote control) to realign the lift/lower mechanisms with the base support platform. • Verify that base is not positioned against a wall, nightstand, or other object that may cause vibration or noise. • If base is installed over a base frame, verify motors are not causing base frame (or base frame components) to vibrate.
Remote control synced to multiple bases.	<ul style="list-style-type: none"> • De-sync your remote control (see <i>De-Syncing Your Remote</i> section of this manual for de-syncing procedure).

DE-SYNCING YOUR REMOTE - REPROGRAM 1 REMOTE TO 1 BASE

STEP 1

Remove the batteries from the remote control.

STEP 2

Simultaneously press and hold both the HEAD DOWN and FOOT UP buttons on the remote control for 2 minutes (FIGURE 8).

STEP 3

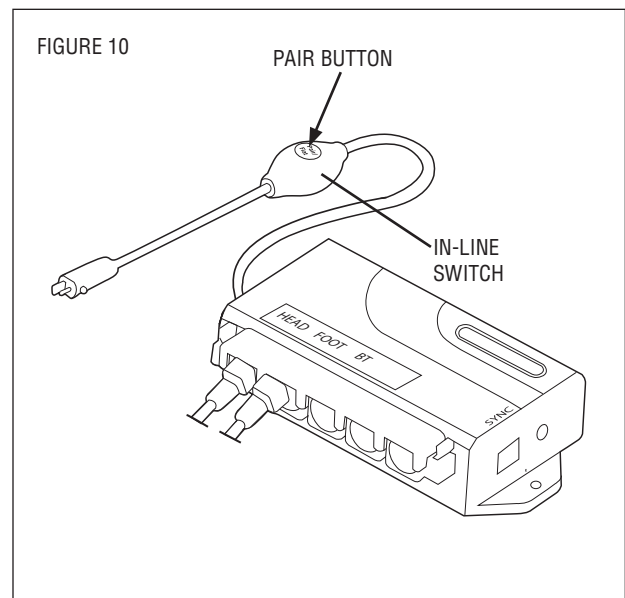
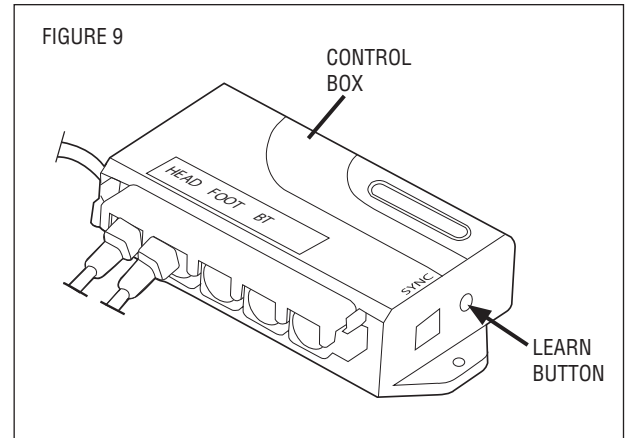
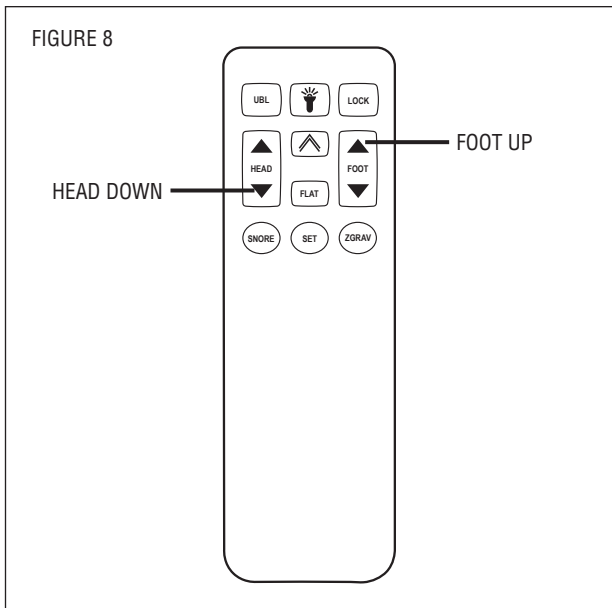
Place batteries back in the remote control.

STEP 4

Simultaneously press and hold both the HEAD DOWN and FOOT UP buttons on the remote control until the backlight on the remote control turns off (FIGURE 8).

STEP 5

Simultaneously press and hold both the HEAD DOWN and FOOT UP buttons on the remote control again (FIGURE 8). While holding these buttons, press and hold the LEARN button on the control box (FIGURE 9) or the PAIR button on the in-line switch (FIGURE 10), as equipped. Hold until you hear an audible sound, then release all buttons.



Note: Your base may be equipped with an in-line switch (pair button) (FIGURE 10) as part of the electrical power cord located near the end of the power cord. This can be used in lieu of the learn button on the control box.

ADVISORY

IMPORTANT INFORMATION

READ THE FOLLOWING INFORMATION CAREFULLY BEFORE USING THIS PRODUCT



WARNING

FOR OPTIMUM ADJUSTABLE BASE OPERATION, USE A GROUNDED, ELECTRICAL SURGE PROTECTION DEVICE (NOT INCLUDED). FAILURE TO USE A SURGE PROTECTION DEVICE COULD COMPROMISE SAFETY OR CAUSE PRODUCT MALFUNCTION.

ELECTRICAL RATING

Input: 100-240VAC, 50/60Hz, 1.6A. Output: 29VDC, 2A.

ELECTRICAL GROUNDING

This product is equipped with a polarized or grounded electrical power cord. The power cord will only fit into a grounded, electrical surge protection device (not included) or a grounded electrical outlet.

WARRANTY WARNING

Do not open any control boxes, motors or remote control devices (with the exception of the remote control and power down box battery compartments). The product warranty will be void if these components are tampered with. Do not attempt to alter component wiring or adjust or modify the structure of the product in any way or the warranty will be void. Any repair or replacement of base parts must be performed by authorized personnel.

LUBRICATION

This product is designed to be maintenance free. The lift motors are permanently lubricated and sealed—no additional lubrication is required. Do not apply lubricant to lift motor lead screws or any nylon nuts or the base may inadvertently creep downward from the elevated position.

LOCATION ENVIRONMENT

The level of sound experienced during operation is directly related to the location environment.

PRODUCT RATINGS

The base lift motors are not designed for continuous use. Reliable operation and full life expectancy will be realized as long as the lift motor operation does not exceed two (2) minutes over a twenty (20) minute period, or approximately 10% duty cycle. Any attempt to circumvent or exceed product ratings will shorten the life expectancy of the product and may void the warranty.

The recommended maximum weight (including mattress) is 850 lb (385 kg) distributed evenly across the base. This product is not designed to support or lift this amount in the head or foot sections alone. *Note: Exceeding the recommended weight restrictions could damage the base and void the warranty.*

For best performance, consumers should enter and exit the adjustable base with the base in the flat (horizontal) position. Avoid placing entire weight on head or foot section of the base, including when in the raised position. **DO NOT STAND ON BASE AT ANY TIME.**

UL (Underwriters Laboratories) recognized components. CFR 1633 approved for use with most mattresses.

ADVISORY

IMPORTANT INFORMATION

READ THE FOLLOWING INFORMATION CAREFULLY BEFORE USING THIS PRODUCT

SMALL CHILDREN / PETS WARNING

After the base is unboxed, immediately dispose of packaging material as it can smother small children and pets. To avoid injury, children or pets should not be allowed to play under or on the base. Children should not operate this base without adult supervision.

HOSPITAL USE DISCLAIMER

This base is designed for in-home use only. It is not approved for hospital use and does not comply with hospital standards. Do not use this base with tent type oxygen therapy equipment, or use near explosive gases. Manufacturer makes no representation or warranty that the adjustable base constitutes a medical device or is suitable for medical or therapeutic use.

LIFTING/LOWERING MECHANISMS

The lift/lower feature will emit a minimal humming sound during operation. This is normal. If excessive noise or vibration is experienced, reverse the movement action (up or down) of the base with the remote control. This should realign the base's activating mechanisms to the proper operational position.

SERVICE REQUIREMENTS

Service technicians are not responsible for moving furniture, removing headboards and footboards or any items required to perform maintenance on the base. In the event the technician is unable to perform service due to lack of accessibility, the service call will be billed to the purchaser and the service will have to be rescheduled.

FCC COMPLIANCE

The equipment has been tested and found to comply with the limits for a Class B digital device, pursuant to Part 15 of the FCC Rules. These limits are designed to provide reasonable protection against harmful interference when the equipment is operated in a residential environment. This equipment generates, uses, and can radiate radio frequency energy and, if not installed and used in accordance with the instruction manual, may cause harmful interference to radio communications. However, there is no guarantee that interference will not occur in a particular installation. If this equipment does cause harmful interference to radio or television reception, which can be determined by turning the equipment off and on, the user is encouraged to try to correct the interference by one or more of the following measures:

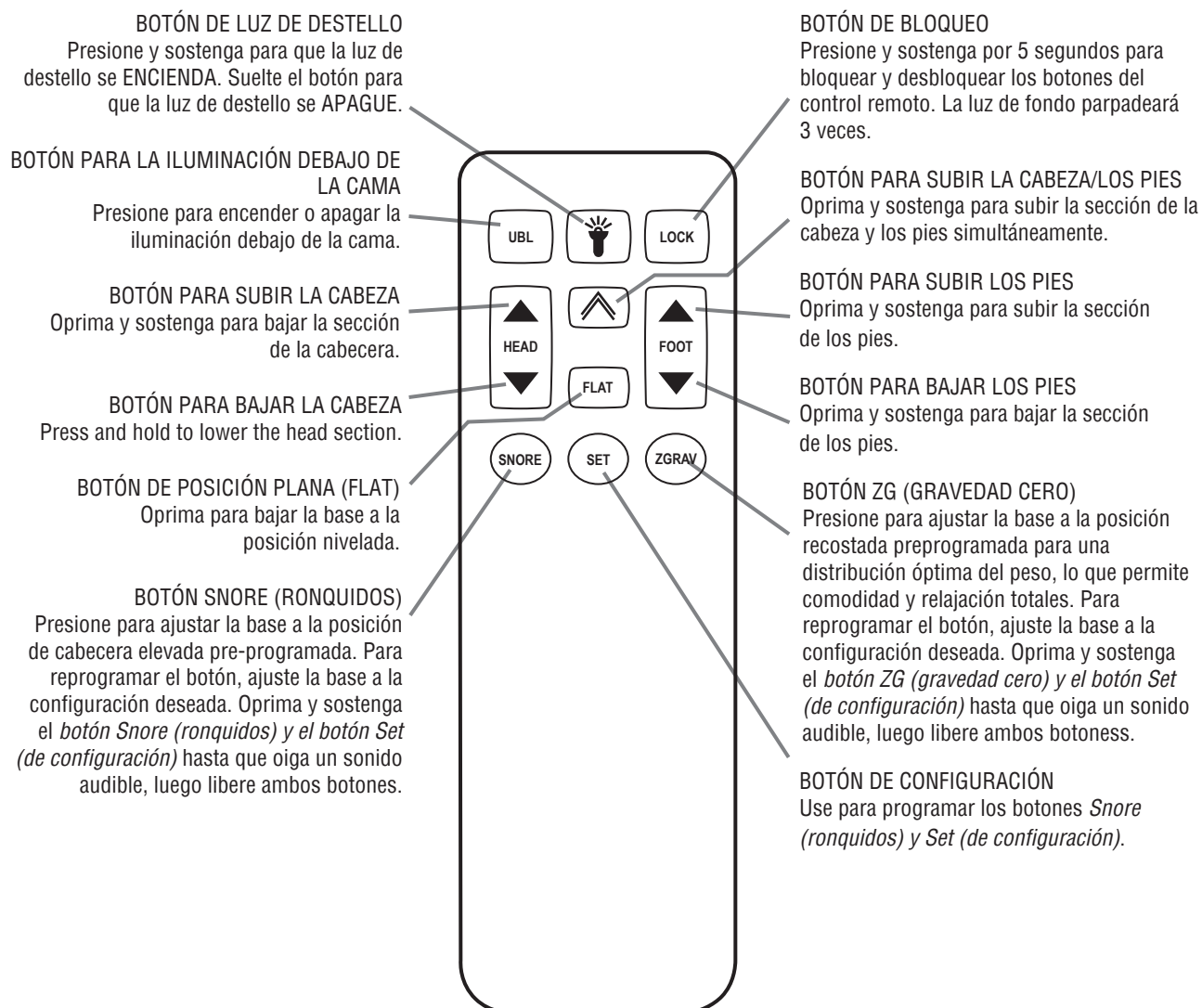
- Reorient or relocate the receiving antenna.
- Increase the separation between the equipment and receiver.
- Connect the equipment into an outlet on a circuit different from that to which the receiver is connected.
- Consult the dealer or an experienced radio/TV technician for help.

This device complies with Part 15 of the FCC rules. Operation is subject to the following conditions: (1) This device may not cause harmful interference, and (2) this device must accept any interference received, including interference that may cause undesired operation.

FCC Caution: Any changes or modifications not expressly approved by the party responsible for compliance could void the user's authority to operate this equipment.

Radio Frequency = 2.4GHz.

FUNCIONAMIENTO DEL CONTROL REMOTO



NOTA

EL CONTROL REMOTO NECESITA (3) BATERÍAS TAMAÑO AAA. PARA ALARGAR LA VIDA DE LAS PILAS, EL TRANSMISOR APAGA TODAS LAS FUNCIONES AL PRESIONAR CUALQUIER BOTÓN POR MÁS DE 50 SEGUNDOS.

Botones de gravedad cero, ronquidos y memoria:

Para borrar las configuraciones programadas y volver a la configuración de fábrica, presione simultáneamente y mantenga presionados los botones para BAJAR LA CABECERA y de posición PLANA (FLAT) hasta escuchar un sonido audible y luego suelte los botones.

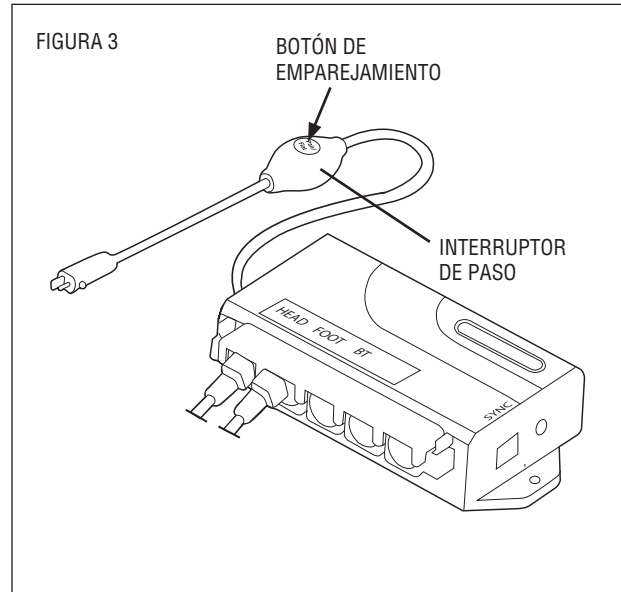
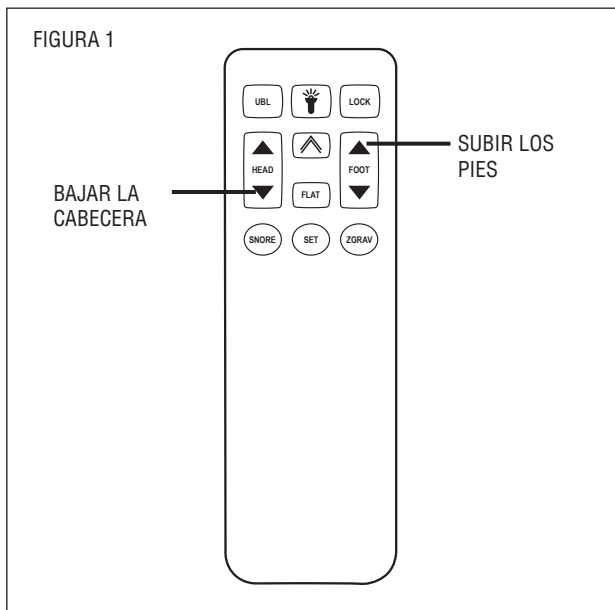
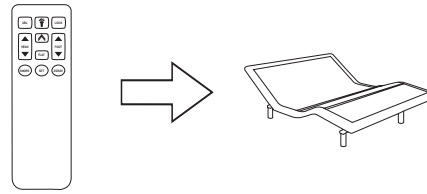
PROGRAMACIÓN DEL CONTROL REMOTO - 1 CONTROL REMOTO PARA OPERAR 1 BASE

PASO 1

Enchufe la base a un tomacorriente.

PASO 2

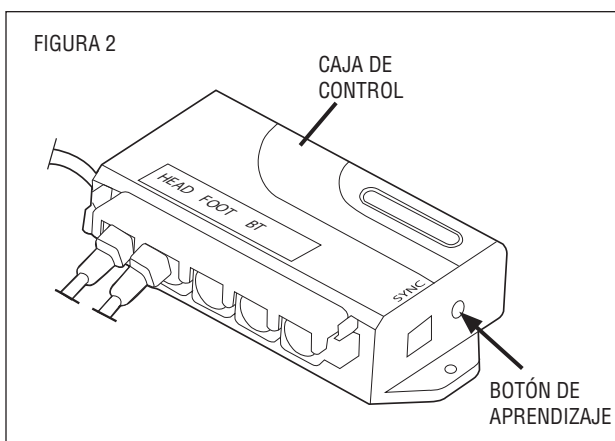
Presione simultáneamente los botones para BAJAR LA CABECERA y ELEVAR LOS PIES del control remoto (FIGURA 1). Mientras mantiene presionados estos botones, oprima y mantenga presionado el botón de APRENDIZAJE (LEARN) de la caja de control (FIGURA 2) o el botón de EMPAREJAMIENTO (PAIR) en el interruptor de paso (FIGURA 3), según el que se haya equipado. Manténgalos presionados hasta escuchar un sonido audible y luego suelte todos los botones.



Nota: su base puede estar equipada con un interruptor de paso (botón de emparejamiento) (FIGURA 3) como parte del cable de alimentación que se encuentra cerca del final del cable de alimentación. Esto puede utilizarse en lugar del interruptor de aprendizaje de la caja de control.

PASO 3

Haga funcionar el control remoto para verificar que la base funcione correctamente.



PROGRAMACIÓN DEL CONTROL REMOTO - 1 O 2 CONTROLES REMOTOS PARA OPERAR 2 BASES

PASO 1

Enchufe ambas bases a un tomacorriente. Haga funcionar cada una de las bases con su respectivo control remoto para verificar que funcionen correctamente.

Baje ambas bases hasta que queden en posición plana.

PASO 2

DESCONECTE ambas bases.

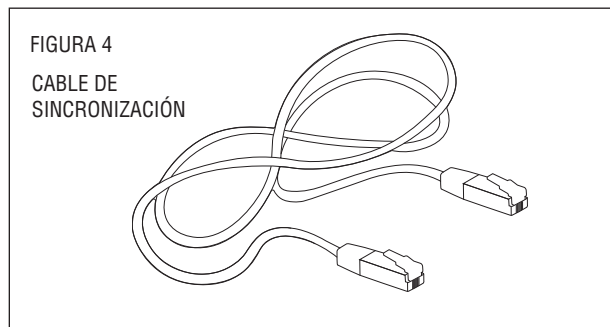
PASO 3

Coloque ambas bases de lado, una cerca de la otra.

PRECAUCIÓN: DEBIDO AL RIESGO DE LESIONES, SE REQUIERE DE DOS PERSONAS PARA MANIPULAR Y MOVER LA BASE AJUSTABLE.

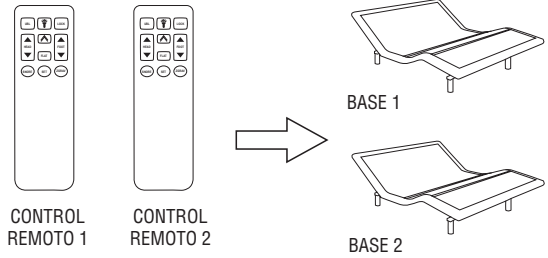
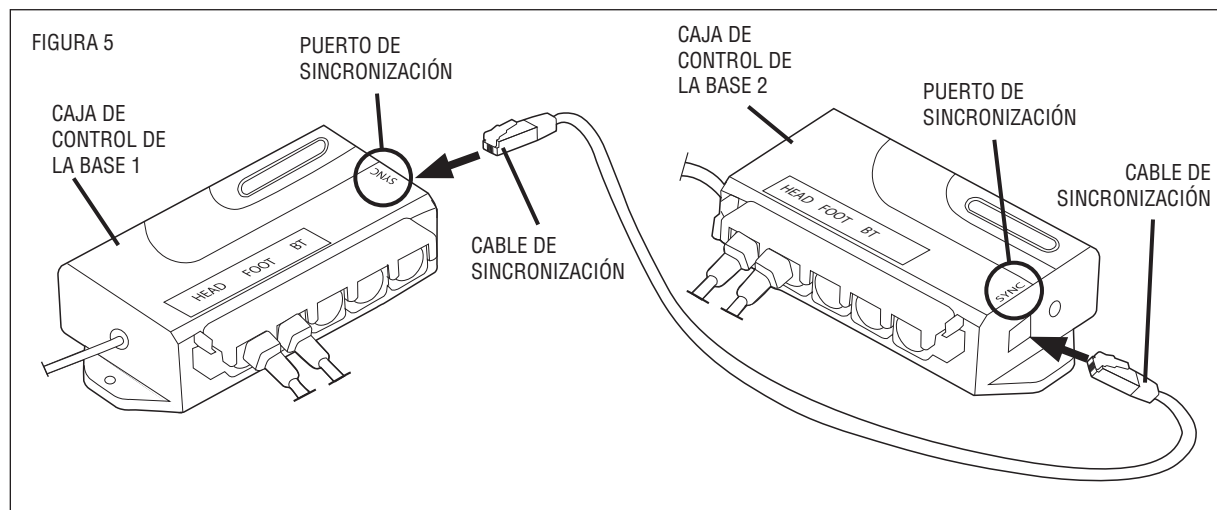
PASO 4

Localice el cable de sincronización (FIGURA 4).



PASO 5

Conecte un extremo del cable de sincronización al puerto de sincronización (en la caja de control) de la base 1. Conecte el otro extremo del cable de sincronización al puerto de sincronización (en la caja de control) de la base 2 (FIGURA 5).



PASO 6

Dé vuelta a ambas bases de modo que se apoyen en sus patas.

PRECAUCIÓN: ASEGÚRESE DE QUE EL CABLE ESTÉ DESPEJADO Y LIBRE DE PUNTOS DE PELLIZCO.

PASO 7

Enchufe ambas bases nuevamente al tomacorriente.

PASO 8

Haga funcionar el(los) control(es) remoto(s) para verificar que la base funcione correctamente. Si usa un solo control remoto para operar ambas bases, guarde el otro para usarlo como repuesto.

Nota: Para volver a la configuración 1 a 1, retire el cable de sincronización de las cajas de control.

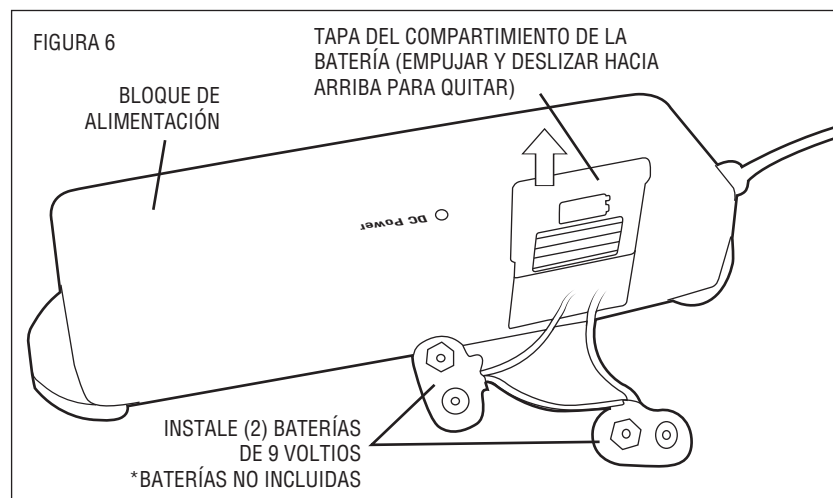
OPERACIÓN EN CASO DE INTERRUPCIÓN ELÉCTRICA

Su base ajustable, según el modelo adquirido, puede tener la siguiente característica. Realice este procedimiento para bajar la base a la posición plana durante un corte eléctrico. **NO** coloque baterías en el dispositivo para casos de interrupción eléctrica hasta que necesite usarlo.

Nota: El dispositivo para casos de interrupción eléctrica requiere baterías alcalinas de 9 voltios, que no se incluyen.

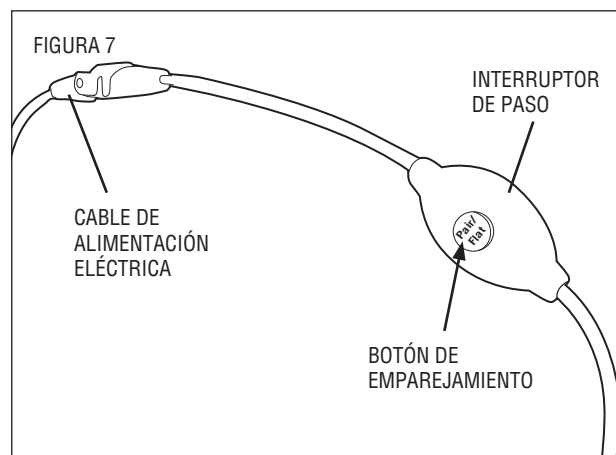
PASO 1

Inserte (2) baterías alcalinas de 9 voltios en el bloque de alimentación (FIGURA 6).



PASO 2

Presione el BOTÓN "FLAT" ("plano") en el control remoto o en el interruptor en línea (si está equipado) (FIGURA 7) hasta que la base se encuentre en una posición plana.



PASO 3

Retire las baterías del bloque de alimentación y deséchelas.

Nota: Las baterías sirven para usar solo una vez.

Cuando se reestablece la energía del apagón, la base está lista para retomar su funcionamiento normal.

RESOLUCIÓN DE PROBLEMAS

Si la base ajustable no funciona, investigue los síntomas y las posibles soluciones que se proporcionan en el cuadro a continuación:

SÍNTOMA	SOLUCIÓN
No se activan las características de la base.	<ul style="list-style-type: none"> • Programe el control remoto (vea la sección de programación del control remoto de este manual para los procedimientos de programación). • Desconecte el cable de alimentación, espere 30 segundos y conéctelo para restablecer los componentes electrónicos. • Se podría activar el interruptor eléctrico. Revise la caja del interruptor del servicio eléctrico para verificar. • Dispositivo de protección contra descargas eléctricas defectuoso del toma de corriente. Pruebe el toma de corriente enchufando otro aparato que funcione. • Si la base se hizo funcionar durante el ciclo de trabajo nominal, se abre el interruptor térmico. Espere 30 minutos antes de intentar operar la base. Una vez que la base vuelva a su funcionamiento normal, no supere el ciclo de trabajo.
El fondo luminoso del control remoto no se ilumina.	<ul style="list-style-type: none"> • Reemplace las baterías en el control remoto.
Se elevan las secciones de pies y cabeza, pero no regresan a la posición horizontal (plana).	<ul style="list-style-type: none"> • El mecanismo de la base puede estar obstruido. Eleve la base y revise si hay alguna obstrucción. Retire la obstrucción. • La sección de la cabeza puede estar muy cerca de la pared.
Ruido excesivo del motor.	<ul style="list-style-type: none"> • Si la base está localizada en un piso de superficie dura, coloque pedazos de tapete o portavasos de hule debajo de cada pata o rueda de la base. • Eleve la sección de la cabeza o los pies a una corta distancia (con el control remoto) para realinear los mecanismos para subir/bajar con la plataforma de soporte de la base. • Verifique que la base no está posicionada contra la pared, buró u otro objeto que pueda causar vibración o ruido. • Si la base está instalada sobre un marco de base, verifique que los motores del masajeador (o los componentes del bastidor de la base) no estén provocando que vibre el bastidor de la base.
Control remoto sincronizado a varias bases.	<ul style="list-style-type: none"> • Desincronice su control remoto (vea la sección Desincronización de su control remoto de este manual para el procedimiento de desincronización).

DESINCRONIZACIÓN DE SU CONTROL REMOTO - REPROGRAME 1 CONTROL REMOTO A 1 BASE

PASO 1

Quite las baterías del control remoto.

PASO 2

Presione simultáneamente y mantenga presionados los botones para bajar la cabecera (HEAD DOWN) y elevar el pie (FOOT UP) en el control remoto por 2 minutos (FIGURA 8).

PASO 3

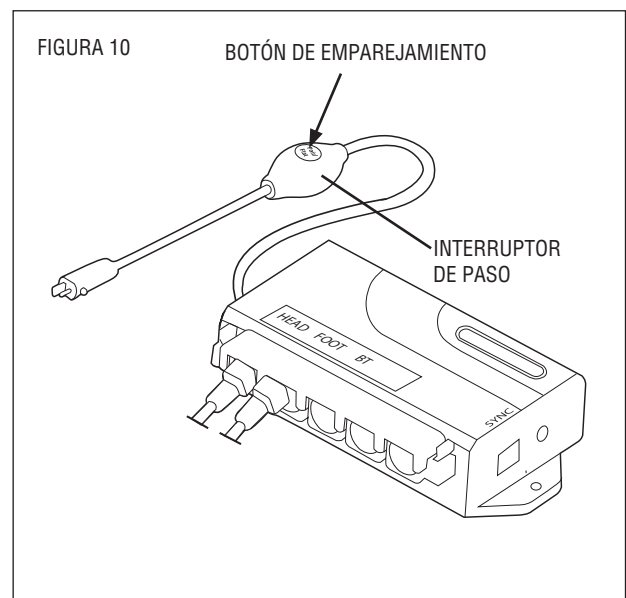
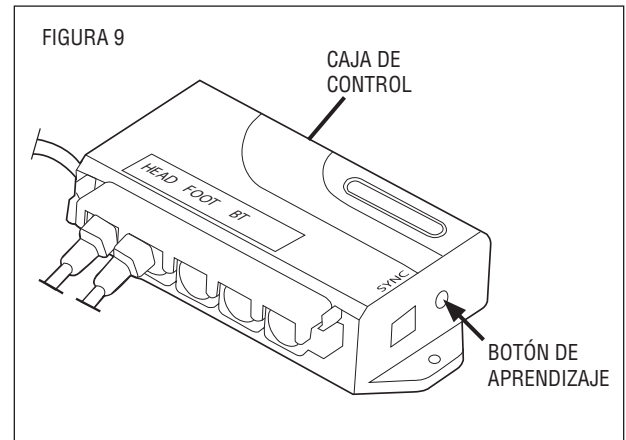
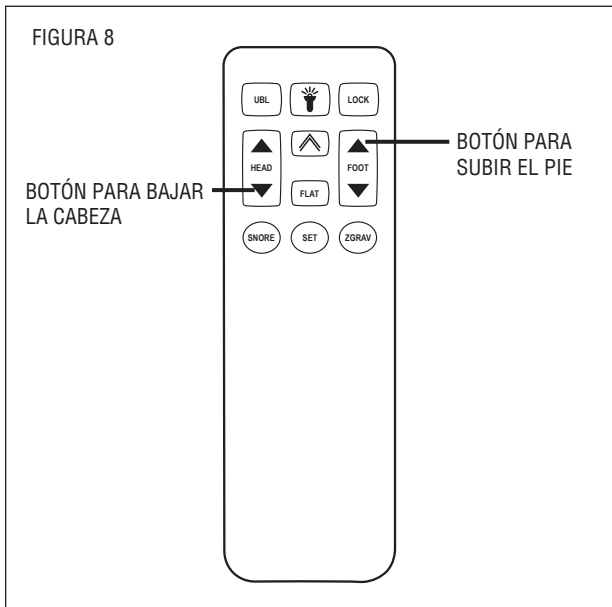
Vuelva a colocar las baterías en el control remoto.

PASO 4

Presione simultáneamente y mantenga presionados los botones para bajar la cabecera (HEAD DOWN) y elevar el pie (FOOT UP) en el control remoto hasta que se apague la luz de fondo del control remoto (FIGURA 8).

PASO 5

Presione simultáneamente y mantenga presionados los botones para bajar la cabecera (HEAD DOWN) y elevar el pie (FOOT UP) en el control remoto (FIGURA 8). Mientras mantiene estos botones, presione y mantenga presionado el botón de aprendizaje (LEARN) de la caja de control (FIGURA 9) o el botón de emparejamiento (PAIR) en el interruptor de paso (FIGURA 10), según el que se haya equipado. Manténgalos hasta escuchar un sonido audible y luego suéltelos.



Nota: su base puede estar equipada con un interruptor de paso (botón de emparejamiento) (FIGURA 10) como parte del cable de alimentación que se encuentra cerca del final del cable de alimentación. Esto puede utilizarse en lugar del interruptor de aprendizaje de la caja de control.

RECOMENDACIONES

INFORMACIÓN IMPORTANTE

LEA DETENIDAMENTE LA SIGUIENTE INFORMACIÓN ANTES DE USAR ESTE PRODUCTO



ADVERTENCIA

PARA UN FUNCIONAMIENTO ÓPTIMO DE LA BASE AJUSTABLE, UTILICE UN DISPOSITIVO DE PROTECCIÓN CONTRA SOBRETENSIÓN ELÉCTRICA CONECTADO A TIERRA (NO INCLUIDO). NO UTILIZAR TAL DISPOSITIVO PODRÍA PONER EN RIESGO LA SEGURIDAD U OCASIONAR EL MAL FUNCIONAMIENTO DEL PRODUCTO.

CARACTERÍSTICAS ELÉCTRICAS

Entrada: 100-240 V, 50/60 Hz, 1.6 A. Salida: 29 VCC, 2A.

CONEXIÓN A TIERRA

Este producto está equipado con un cable eléctrico conectado a tierra o polarizado. El cable de alimentación encaja sólo en un dispositivo de protección contra sobretensión eléctrica puesto a tierra (no incluido), o en un tomacorriente puesto a tierra.

ADVERTENCIA DE LA GARANTÍA

No abra ninguna caja de control, motor ni dispositivo del control remoto (con la excepción de los compartimento de baterías del control remoto). La garantía del producto perderá validez si se alteran estos componentes. La garantía del producto perderá validez si se alteran estos componentes, si se altera el cableado de los componentes, o si se ajusta o modifica de manera alguna la estructura del producto. Cualquier reparación o reemplazo de las partes de la base debe ser realizado por personal autorizado.

LUBRICACIÓN

Este producto está diseñado para no necesitar mantenimiento. Los motores de elevación están permanentemente lubricados y sellados, no se necesita lubricación adicional. No aplique lubricante a los tornillos de avance del motor de elevación ni a las tuercas de nilón, de lo contrario la cama puede deslizarse accidentalmente hacia abajo desde la posición elevada.

ENTORNO DONDE SE ENCUENTRA UBICADO EL EQUIPO

El nivel de sonido experimentado durante el funcionamiento de la cama se relaciona directamente con el entorno en el que se encuentra ubicada.

ESPECIFICACIONES DEL PRODUCTO

Los motores de elevación de la base no están diseñados para uso continuo. Logrará un funcionamiento confiable y una expectativa de vida útil completa siempre que los motores de elevación no funcionen durante más de dos (2) minutos en un período de veinte (20) minutos o aproximadamente un 10% del ciclo de trabajo. Cualquier intento de evadir o exceder las especificaciones del producto acortará la vida útil del mismo y puede invalidar la garantía.

El peso restringido recomendado para las bases ajustables es de 385 kg (850 lb) en todos los tamaños. Este producto no está diseñado para soportar o elevar esta cantidad sólo en la sección de la cabeza o de los pies. Nota: Exceder las restricciones recomendadas en cuanto a peso podría dañar la cama y anular la garantía.

Para un mejor desempeño, los consumidores deben entrar y salir de la base ajustable con la base en la posición plana (horizontal). Evite colocar todo el peso en las secciones de la cabeza o los pies de la base, incluso cuando esté en la posición elevada. **NO SE PARE EN LA BASE EN NINGÚN MOMENTO.**

Componentes fabricados conforme a UL (Underwriters Laboratories).

CFR 1633 aprobado para el uso con la mayoría de los colchones.

RECOMENDACIONES

INFORMACIÓN IMPORTANTE

LEA DETENIDAMENTE LA SIGUIENTE INFORMACIÓN ANTES DE USAR ESTE PRODUCTO

ADVERTENCIA SOBRE NIÑOS PEQUEÑOS Y MASCOTAS

Después de sacar la base de la caja, deseche de inmediato el material de embalaje pues puede asfixiar a niños pequeños o mascotas. Para evitar lesiones, no debe permitir que niños y mascotas jueguen abajo o encima de la base. Los niños no deben operar esta base sin la supervisión de un adulto.

LIMITACIÓN DE RESPONSABILIDAD EN USOS HOSPITALARIOS

Esta base está diseñada para uso en el hogar únicamente. No está aprobada para el uso en hospitales y no cumple con las normas hospitalarias. No use esta base con equipo de terapia de oxígeno tipo tienda de campaña ni use cerca de gases explosivos. El fabricante no afirma o garantiza que la base ajustable constituye un dispositivo médico o es adecuado para uso médico o terapéutico.

MECANISMOS DE ELEVACIÓN/DESCENSO

La función de elevación/descenso emitirá un zumbido mínimo durante la operación. Este sonido es normal. Si se experimenta ruido o vibraciones en exceso, invierta la acción de movimiento (hacia arriba o hacia abajo) de la base con el control remoto. Esto debe realinear los mecanismos de activación de la base a la posición de operación apropiada.

REQUISITOS DE SERVICIO

Los técnicos de servicio no son responsables de mover muebles, quitar cabeceras y pies de cama o cualquier otro artículo requerido para realizar el mantenimiento a la base. En el caso de que el técnico no pueda realizar el servicio debido a falta de accesibilidad, la llamada de servicio se le facturará al comprador y el servicio se tendrá que programar para otra fecha.

CONFORMIDAD CON LA FCC (FEDERAL COMMUNICATIONS COMMISSION)

Se han realizado pruebas al equipo y se ha encontrado que cumple con los límites para un dispositivo digital de Clase B conforme a la Parte 15 de las normas de la FCC. Estos límites están diseñados para proporcionar una protección razonable contra interferencia dañina cuando el equipo se usa en un entorno residencial. Este equipo genera, usa y puede emitir energía de radiofrecuencia y, si no está instalado y no se usa de acuerdo con el manual de instrucciones, puede causar interferencia dañina en comunicaciones de radio. Sin embargo, no se garantiza que no habrá interferencia en una instalación en particular. Si este equipo causa interferencia dañina en la recepción de radio o televisión, que se puede determinar al apagar y encender el equipo, se aconseja al usuario que intente corregir la interferencia con una o más de las siguientes medidas:

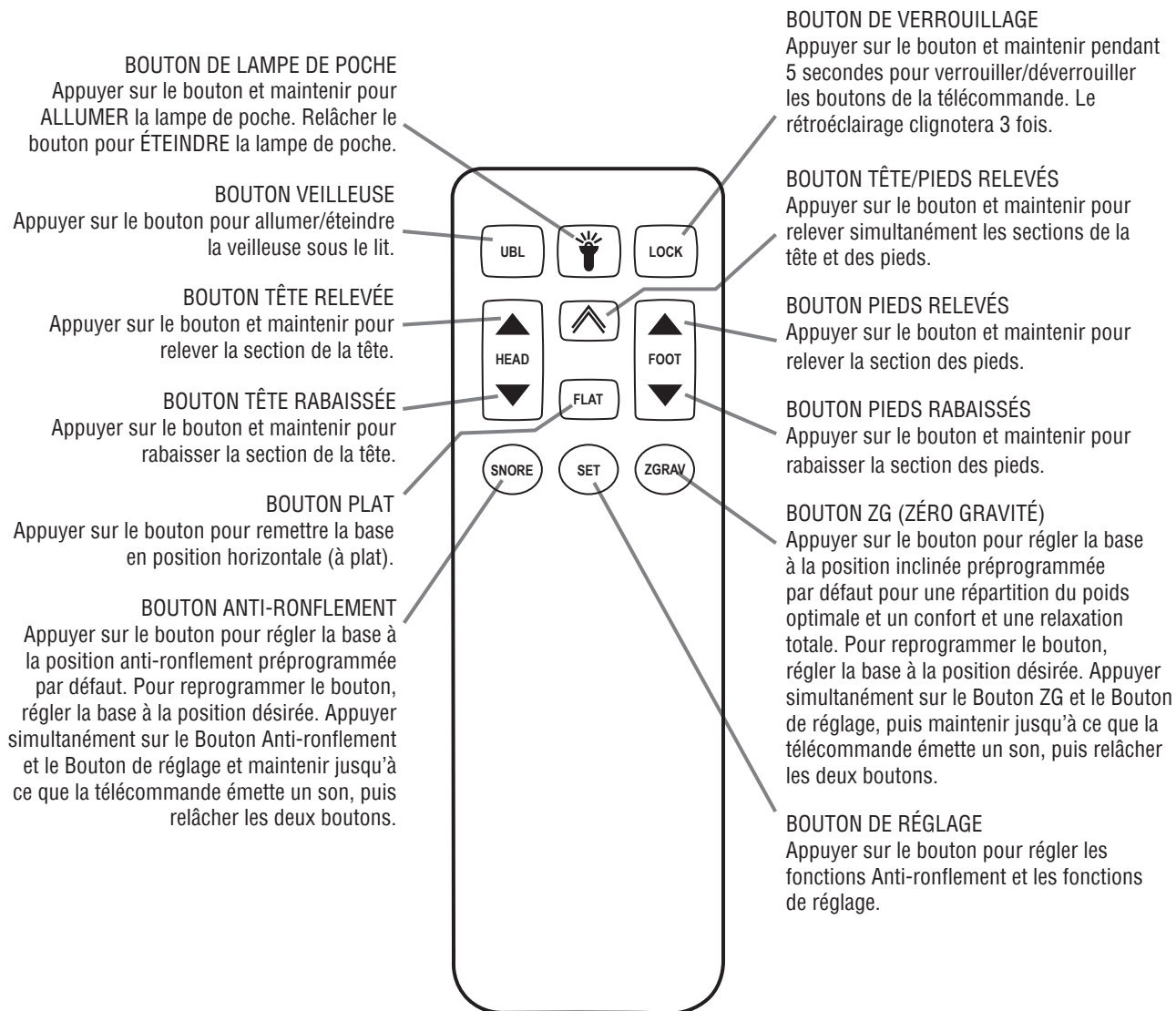
- Vuelva a orientar o ubicar la antena receptora.
- Aumente la separación entre el equipo y el receptor.
- Conecte el equipo a un tomacorriente en un circuito que sea diferente al que está conectado el receptor.
- Para obtener ayuda, consulte al comerciante o a un técnico de radio/TV con experiencia.

Este dispositivo cumple con la Parte 15 de las normas FCC. El funcionamiento está sujeto a las siguientes condiciones: (1) Este dispositivo no puede causar interferencia dañina, y (2) este dispositivo debe aceptar cualquier interferencia recibida, incluso aquella que pueda causar un funcionamiento no deseado.

Precaución conforme a la FCC: Cualquier cambio o modificación no aprobada expresamente por la parte responsable de cumplimiento podría invalidar la autoridad del usuario para operar este equipo.

Frecuencia de Radio = 2.4GHz. Radio Frequency = 2.4GHz.

FONCTIONS DE LA TÉLÉCOMMANDE



NOTA

TROIS (3) PILES AAA SONT REQUISES POUR FAIRE FONCTIONNER LA TÉLÉCOMMANDE. POUR ÉCONOMISER LES PILES, L'ÉMETTEUR DÉSACTIVE TOUTES LES FONCTIONS LORSQU'UN BOUTON QUELCONQUE EST ENFONCÉ PENDANT PLUS DE 50 SECONDES.

Boutons ZG, Anti-ronflement et Mémoire :

Pour annuler les paramètres préprogrammés et revenir aux paramètres préprogrammés par défaut, appuyer simultanément sur le bouton TÊTE RABAISSÉE et le bouton À PLAT, et maintenir jusqu'à ce que la télécommande émette un son, puis relâcher les boutons.

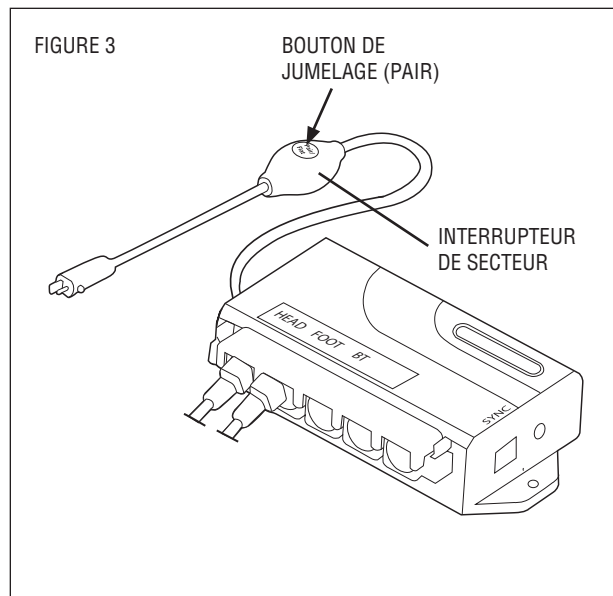
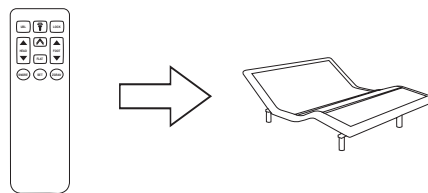
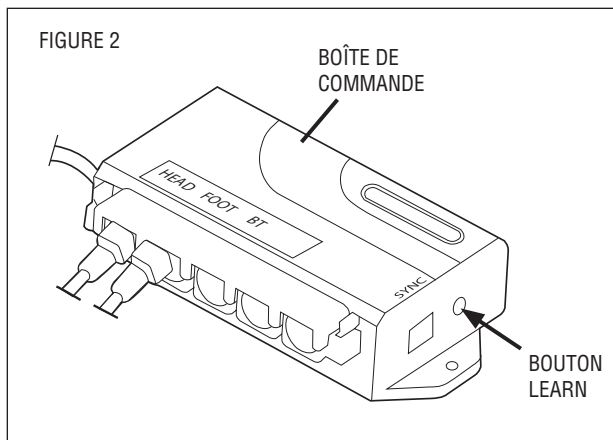
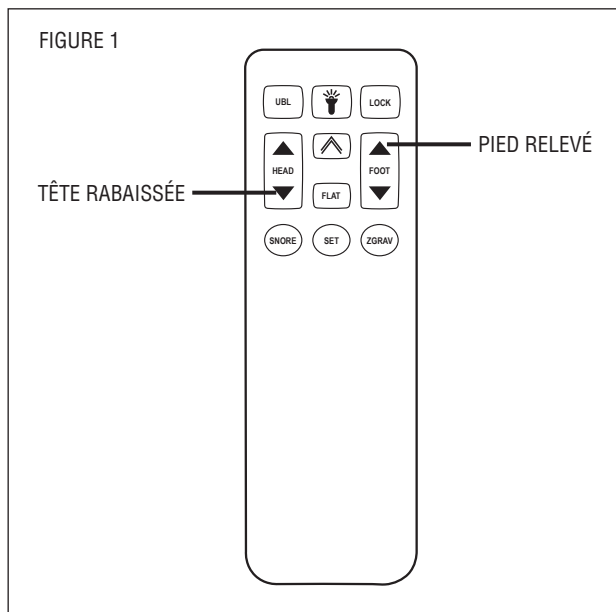
PROGRAMMATION DE LA TÉLÉCOMMANDE - 1 TÉLÉCOMMANDE POUR ACTIVER 1 BASE

ÉTAPE 1

Brancher la base dans la source d'alimentation électrique.

ÉTAPE 2

Appuyer simultanément sur les boutons TÊTE RABAISSÉE et PIEDS RELEVÉS sur la télécommande (FIGURE 1) et maintenir. Tout en maintenant ces boutons enfoncés, appuyer sur le bouton LEARN de la boîte de commande (FIGURE 2) ou sur le bouton PAIR sur l'interrupteur de secteur (FIGURE 3) et maintenir. Maintenir les boutons enfoncés jusqu'à que le dispositif émette un son, puis relâcher tous les boutons.



Nota : La base peut être équipée d'un interrupteur de secteur (Bouton PAIR) situé à l'extrémité du cordon d'alimentation électrique. Cet interrupteur peut être utilisé pour remplacer le bouton LEARN sur la boîte de commande.

ÉTAPE 3

Activer la télécommande pour s'assurer que la base fonctionne correctement.

PROGRAMMATION DE LA TÉLÉCOMMANDE - 1 OU 2 TÉLÉCOMMANDES POUR ACTIVER 2 BASES

ÉTAPE 1

Brancher les deux bases dans la source d'alimentation électrique. Activer chaque base à l'aide de sa télécommande pour s'assurer que la base fonctionne correctement.

Abaisser les deux bases à la position à plat (horizontale).

ÉTAPE 2

DÉBRANCHER les deux bases.

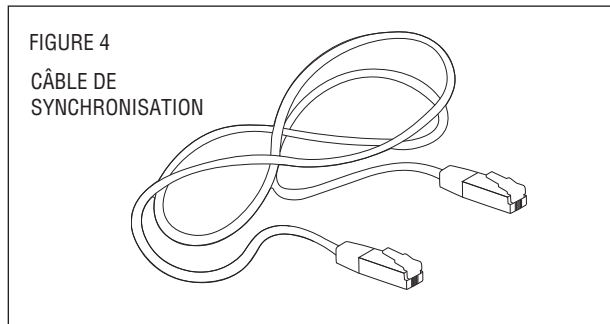
ÉTAPE 3

Placer les deux bases sur leur côté près l'une de l'autre.

AVERTISSEMENT : EN RAISON DU RISQUE DE BLESSURE, IL FAUT DEUX ADULTES POUR MANIPULER ET DÉPLACER LA BASE AJUSTABLE.

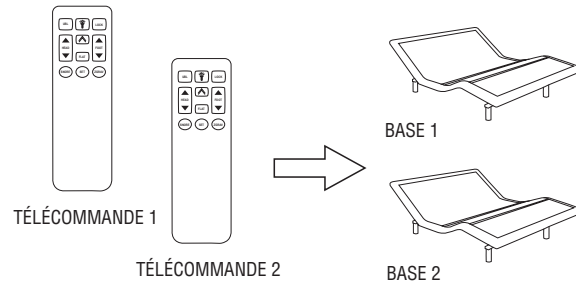
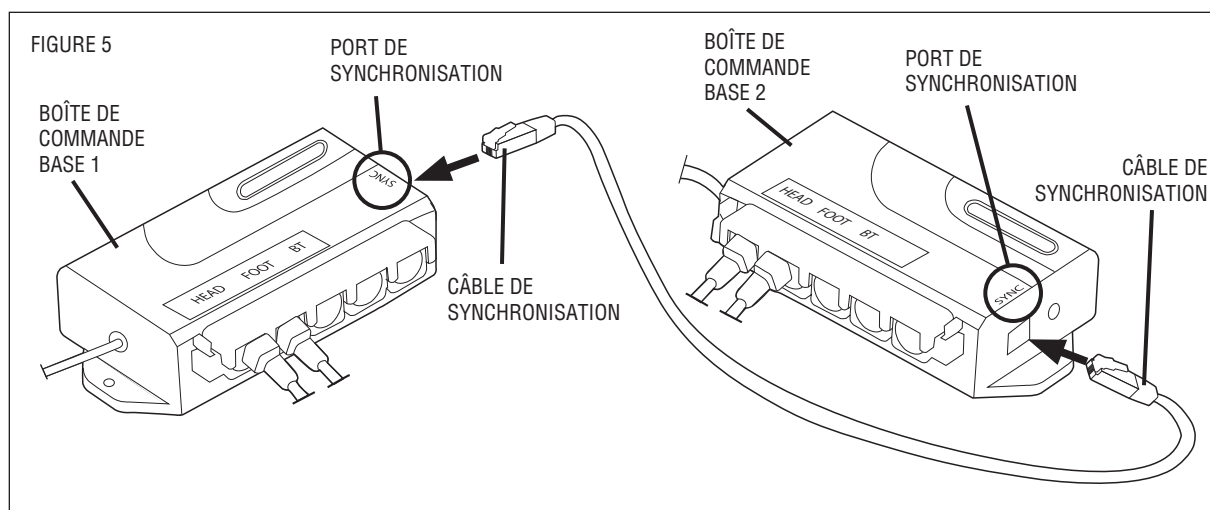
ÉTAPE 4

Localiser le câble de synchronisation (FIGURE 4).



ÉTAPE 5

Brancher une extrémité du câble de synchronisation dans le port de synchronisation (sur la boîte de commande) de la base 1. Brancher l'autre extrémité du câble de synchronisation dans le port de synchronisation (sur la boîte de commande) de la base 2 (FIGURE 5).



ÉTAPE 6

Retourner les deux bases sur leurs pattes.

AVERTISSEMENT : S'ASSURER QUE LE CÂBLE N'EST PAS COINCÉ DANS LA BASE OU UN POINT DE PINCEMENT.

ÉTAPE 7

Brancher les deux bases dans la source d'alimentation électrique.

ÉTAPE 8

Activer les bases à l'aide de la(les) télécommande(s) pour s'assurer que les deux bases fonctionnent correctement. Si une seule télécommande est nécessaire pour activer les deux bases, garder la deuxième télécommande en cas de besoin.

Nota : Pour utiliser une seule télécommande pour activer une base, retirer le câble de synchronisation des boîtes de commande.

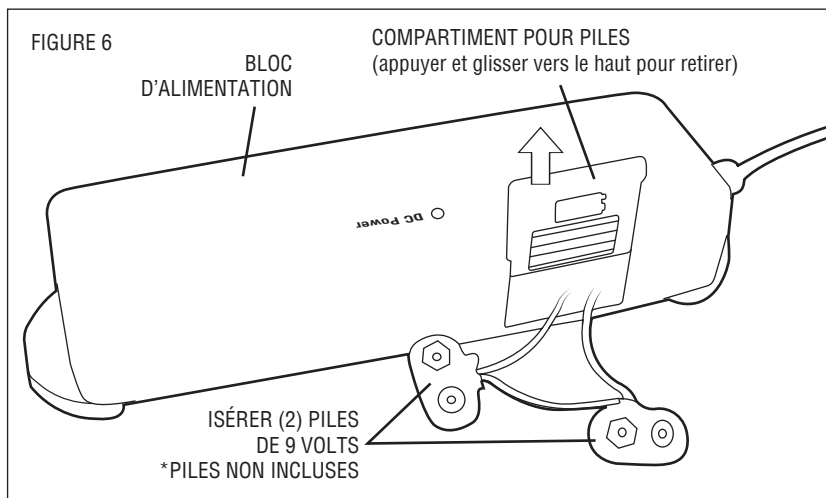
MISE HORS TENSION

Votre base réglable, selon le modèle acheté, peut avoir la fonction suivante. Suivre les étapes suivantes pour remettre la base en position horizontale (à plat) en cas de panne d'électricité. Ne PAS insérer de piles dans le dispositif de mise hors tension sauf juste avant son utilisation.

Nota : Le dispositif de mise hors tension nécessite des piles alcalines de 9 volts (non incluses).

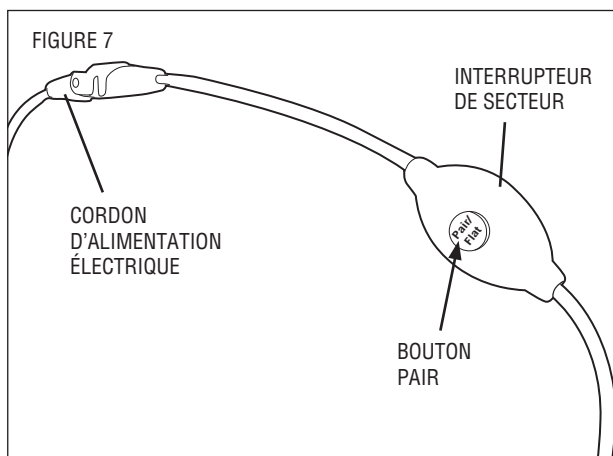
ÉTAPE 1

Insérer (2) piles alcalines de 9 volts dans le bloc d'alimentation (FIGURE 6).



ÉTAPE 2

Appuyer sur le BOUTON À PLAT sur la télécommande ou sur l'interrupteur de secteur (le cas échéant) (FIGURE 7) pour régler la base à la position horizontale.



ÉTAPE 3

Retirer les piles du bloc d'alimentation et disposer.

Nota : Les piles sont à usage unique seulement.

Après la panne, une fois le courant revenu, la base est prête à activer normalement.

RÉSOLUTION DE PROBLÈMES

Si la base ajustable ne fonctionne pas correctement, consulter les symptômes et les solutions possibles fournies dans le tableau ci-dessous :

SYMPTÔME	SOLUTION
Aucune fonction de la base ne s'active.	<ul style="list-style-type: none"> • Programmer la télécommande (consulter la section Programmation de la télécommande du manuel). • Débrancher le cordon d'alimentation, attendre 30 secondes et lebrancher à nouveau pour réinitialiser les composants électroniques. • Il est possible que le disjoncteur électrique se soit déclenché.Vérifier la boîte des disjoncteurs. • La prise de courant ou le dispositif de protection contre lessurtensions pourrait être défectueux. Brancher un autre appareil opérationnel dans la prise pour s'assurer qu'elle est alimentée. • Si la base a fonctionné pendant un cycle de service dépassant lavaleur nominale, le rupteur thermique s'ouvrira. Attendez 30 minutes avant d'essayer de faire fonctionner la base. Une fois quela base fonctionne normalement à nouveau, il est fortement déconseillé de la faire fonctionner pendant un cycle de service dépassant la valeur nominale.
Le voyant de la télécommande ne s'illumine pas.	<ul style="list-style-type: none"> • Remplacer les piles de la télécommande.
La section de la tête ou des pieds se relève, mais la base ne se remet pas en position horizontale (à plat).	<ul style="list-style-type: none"> • Le mécanisme de la base peut être obstrué. Relever la base etvérifier qu'il n'y a pas d'obstruction. Retirer ce qui cause l'obstruction. • Il est possible que la section de la tête soit trop près du mur.
Les moteurs émettent un bruit excessif.	<ul style="list-style-type: none"> • Si la base est installée sur une surface dure, placer des morceaux de tapis ou des soucoupes pour roulettes sous chaque patte ouroulette de la base. • Élever légèrement la tête ou les pieds de la base (à l'aide de la télécommande) pour réaligner les mécanismes de soulèvement et d'abaissement avec la plateforme de soutien de la base. • S'assurer que la base n'est pas appuyée contre un mur, une tablede chevet ou tout autre objet qui pourrait entraîner des vibrations ou du bruit. • Si la base est installée sur un cadre de lit, s'assurer que les moteurs ne font pas vibrer le cadre de la lit (ou tout autre composant du cadre).
Télécommande synchronisée avec plusieurs bases.	<ul style="list-style-type: none"> • Désynchronisez votre télécommande (vous reportez à la section Désynchronisation de votre télécommande de ce manuel pour la procédure de désynchronisation).

DÉSYNCHRONISATION DE VOTRE TÉLÉCOMMANDE - REPROGRAMMEZ 1 TÉLÉCOMMANDE À 1 BASE

ÉTAPE 1

Retirez les piles de la télécommande.

ÉTAPE 2

Appuyez simultanément et tenez les boutons d'abaissement de la tête (HEAD DOWN) et de soulèvement du pied (FOOT UP) sur la télécommande pendant 2 minutes (FIGURE 8).

ÉTAPE 3

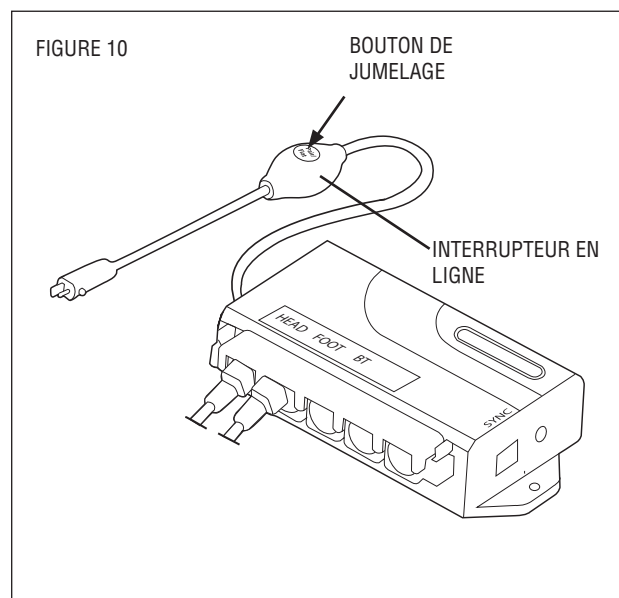
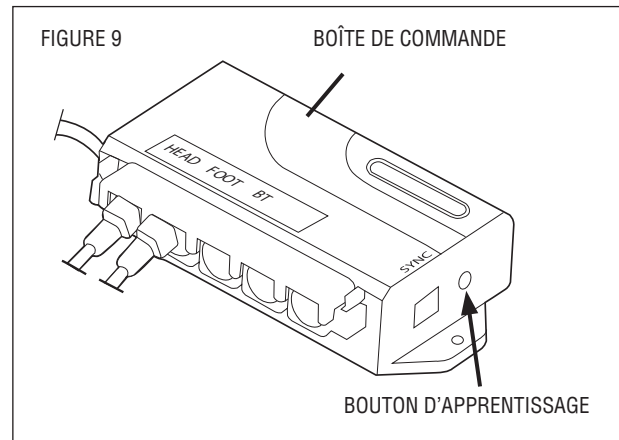
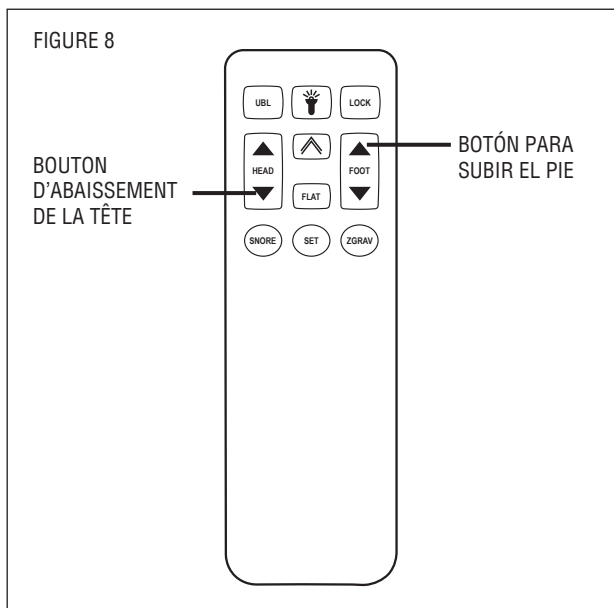
Remplacez les piles dans la télécommande.

ÉTAPE 4

Appuyez simultanément et tenez les boutons d'abaissement de la tête (HEAD DOWN) et de soulèvement du pied (FOOT UP) sur la télécommande jusqu'à ce que le rétroéclairage sur la télécommande s'éteigne (FIGURE 8).

ÉTAPE 5

Appuyez de nouveau simultanément et tenez les boutons d'abaissement de la tête (HEAD DOWN) et de soulèvement du pied (FOOT UP) sur la télécommande (FIGURE 8). Tout en tenant ces boutons, appuyez et tenez le bouton d'apprentissage (LEARN) sur la boîte de commande (FIGURE 9) ou le bouton d'appariement (PAIR) sur l'interrupteur en ligne (FIGURE 10), comme équipé. Tenez jusqu'à l'émission d'un son audible, puis relâchez tous les boutons.



Remarque: Votre base peut être équipée d'un interrupteur en ligne (bouton de jumelage) (FIGURE 10) faisant partie du cordon d'alimentation électrique et situé à proximité de l'extrémité du cordon d'alimentation. Il peut être utilisé à la place de l'interrupteur d'apprentissage sur le boîtier de commande.

RENSEIGNEMENTS IMPORTANTS

LIRE LES RENSEIGNEMENTS ATTENTIVEMENT AVANT D'UTILISER LE PRODUIT



AVERTISSEMENT

POUR UN FONCTIONNEMENT OPTIMAL DE LA BASE AJUSTABLE, UTILISER UN DISPOSITIF DE PROTECTION CONTRE LES SURTENSIONS ÉLECTRIQUES MISE À LA TERRE (NON INCLUS). LE FAIT DE NE PAS UTILISER UN DISPOSITIF DE PROTECTION CONTRE LES SURTENSIONS PEUT ENTRAÎNER UN DANGER OU UN DÉFAUT DE FONCTIONNEMENT.

CARACTÉRISTIQUES ÉLECTRIQUES

Entrée : 100-240 VAC, 50/60 Hz, 1,6 A. Sortie : 29 VDC, 2 A.

MISE À LA TERRE ÉLECTRIQUE

Le produit est équipé d'un câble d'alimentation électrique polarisé ou relié à la terre. Le câble d'alimentation ne peut être branché que dans un dispositif de protection contre les surtensions électriques (non inclus) ou dans une prise électrique mise à la terre.

AVERTISSEMENT RELATIF À LA GARANTIE

Ne pas ouvrir les boîtes de commande, les moteurs ni les télécommandes (à l'exception du compartiment de piles).

La garantie du produit sera annulée si ces composants sont manipulés. La garantie sera également annulée si le câblage des composants est altéré ou si la structure du produit est ajustée ou modifiée de quelque façon que ce soit. Toute réparation ou tout remplacement des composants de la base doit être effectué par du personnel autorisé.

LUBRICATION

La base est conçue pour ne pas nécessiter d'entretien. Les moteurs de levage sont scellés et lubrifiés en permanence. Aucune lubrification supplémentaire n'est requise. Ne pas utiliser de lubrifiant pour soulever les vis-mère du moteur ou les écrous nyloc, car la base pourrait glisser par inadvertance vers le bas lorsqu'elle est en position élevée.

EMPLACEMENT DE LA BASE

Lorsqu'elle est sous tension, le niveau de bruit provenant de la base est directement lié à l'endroit où la base est installée.

CARACTÉRISTIQUES NOMINALES DU PRODUIT

Les moteurs de levage de la base ne sont pas conçus pour un usage continu. La base fonctionnera correctement et aura une durée de vie complète seulement si les moteurs de levage ne fonctionnent pas de manière continue pendant plus de deux (2) minutes pendant une période de vingt (20) minutes, ou environ 10 % du cycle de service. Toute tentative de contourner ou de dépasser ces caractéristiques nominales raccourcira la durée de vie du produit et risque d'annuler la garantie.

La limite de poids recommandée pour la base ajustable (y compris le matelas) est de 850 lb (385 kg) réparties uniformément entre la tête et les pieds. Les différentes sections de la base ne sont pas conçues pour soutenir ou soulever ce poids total. Nota : Le non-respect de la limite de poids recommandée pourrait endommager la base et annuler la garantie.

Pour obtenir les meilleurs résultats, le client devrait s'allonger sur la base ajustable ou la quitter que lorsqu'elle est en position à plat (position horizontale). Il est conseillé d'éviter de placer tout le poids sur la section de la tête ou des pieds de la base, y compris lorsque la base est en position relevée. **NE JAMAIS S'ASSEOIR SUR LA BASE.**

Les composants de la base sont reconnus par UL (Underwriters Laboratories).

La base est approuvée CFR 1633 et convient à la plupart des matelas.

AVIS

RENSEIGNEMENTS IMPORTANTS

LIRE LES RENSEIGNEMENTS ATTENTIVEMENT AVANT D'UTILISER LE PRODUIT

AVERTISSEMENT RELATIF AUX JEUNES ENFANTS ET AUX ANIMAUX DOMESTIQUES

Une fois la base déballée, jeter immédiatement le matériel d'emballage car les jeunes enfants et les animaux domestiques pourraient s'étouffer. Pour éviter les blessures, les enfants et les animaux domestiques ne devraient pas être autorisés à jouer sous ou sur la base. Les enfants ne devraient pas faire fonctionner la base sans la surveillance d'un adulte.

CLAUSE DE NON-RESPONSABILITÉ POUR UTILISATION EN MILIEU HOSPITALIER

La base est conçue uniquement pour un usage à domicile. Elle n'est pas approuvée pour une utilisation en milieu hospitalier et n'est pas conforme aux normes des hôpitaux. Ne pas utiliser la base avec un équipement d'oxygénothérapie de type tente ni près de gaz explosifs. Le fabricant ne fait aucune déclaration ni n'offre aucune garantie que la base ajustable constitue un appareil médical ni qu'elle convienne pour un usage médical ou thérapeutique.

MÉCANISMES DE LEVAGE ET D'ABAISSEMENT

Une fois activée, la fonction de soulèvement et d'abaissement émettra un bourdonnement. Ce bruit est normal. Si le bruit est excessif ou que la base vibre, inverser le mouvement (soulèvement ou abaissement) de la base à l'aide de la télécommande. Ceci devrait réaligner les mécanismes de la base avec la bonne position d'opération.

EXIGENCES EN MATIÈRE D'ENTRETIEN

Les techniciens de service ne sont pas tenus de déplacer des meubles, de retirer la tête ou le pied de lit ou tout autre composant pour effectuer les tâches d'entretien sur la base. Dans l'éventualité où le technicien est incapable de fournir le service parce qu'il lui est impossible d'accéder à la base, l'appel de service sera tout de même facturé à l'acheteur et devra être reporté à une date ultérieure.

CONFORMITÉ FCC (COMMISSION FÉDÉRALE DES COMMUNICATIONS)

L'équipement a été testé et déclaré conforme aux normes pour un appareil numérique de classe B, en accord avec la section 15 des règlements de la FCC. Ces limites sont conçues pour assurer une protection raisonnable contre le brouillage nuisible lorsqu'un équipement est opéré dans un environnement résidentiel. Cet équipement génère, utilise et peut émettre de l'énergie de fréquence radio qui pourrait, si l'équipement n'est pas installé et utilisé conformément aux instructions du manuel, causer du brouillage nuisible aux communications radio. Cependant, il n'existe aucune garantie que le brouillage ne se produira pas dans un environnement particulier. Si l'équipement est à l'origine de brouillage nuisible à la réception radiophonique et télévisuelle, ce qui peut être décelé en allumant puis en éteignant l'équipement, il est conseillé de tenter de résoudre le problème de brouillage en suivant une ou plusieurs des étapes suivantes :

- Réorienter ou déplacer l'antenne réceptrice.
- Augmenter la distance qui sépare l'équipement et le récepteur.
- Brancher l'appareil dans la prise de courant d'un circuit autre que celui utilisé pour le récepteur.
- Communiquer avec le dépositaire ou un technicien radio/télévision expérimenté pour obtenir de l'aide.

L'appareil est conforme à la section 15 des règlements de la FCC. Son fonctionnement est soumis aux conditions suivantes: (1) L'appareil ne doit pas causer de brouillage nuisible. (2) L'appareil doit accepter toute interférence reçue, y compris les interférences pouvant causer des opérations non désirées.

Avertissement de la FCC : Toute modification ou tout changement n'ayant pas été expressément approuvé par l'autorité responsable de la conformité pourrait déchoir l'utilisateur de son droit d'utiliser cet équipement.

Radiofréquence = 2.4 GHz.

Radio Frequency = 2.4GHz.



NATIONWIDE CUSTOMER SERVICE toll free: (800) 888-3078

SERVICIO AL CLIENTE sin costo: (800) 888-3078

SERVICE À LA CLIENTÈLE ligne sans frais : (877) 452-2665