

BAS-X HC



Bas-X HC is a lightweight, finished upholstered adjustable base from Leggett & Platt Consumer Products. It features head articulation for comfortable reading or TV-watching positions, and an easy-to-use, wired, two-button remote for operation. The sleekly designed Bas-X HC is a foldable foundation with a large weight capacity – up to 850 lbs.

- Head articulation
- Foldable foundation with less than a 1" profile
- Wired remote
- 850 lb. weight capacity
- 6 steel legs
- Sync cable included for split sizes

BASICS MODEL ADJUSTABLE BASE



BLACK UPHOLSTERY

SIZE	ITEM NO.
twin xl	4X0341
full	4X0345
queen	4X0342
single king	4X0343
single cal king	4X0344



head only



foldable foundation



850 lb lift capacity

LPCustomerProducts.com

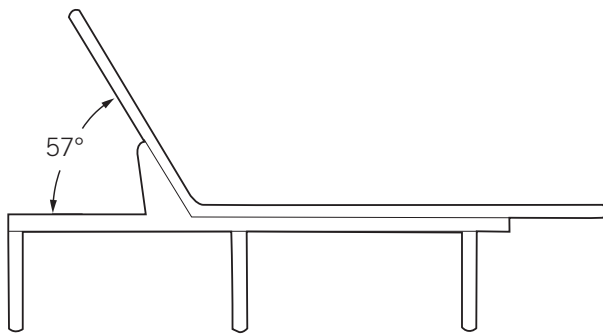
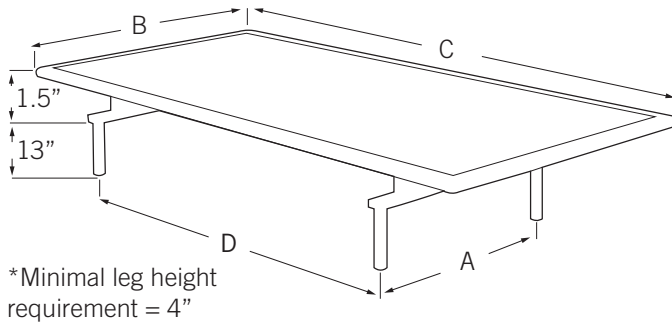
Leggett & Platt
CONSUMER PRODUCTS

Value without compromise™

BAS-X HC

Specifications

For warranty/support information,
call toll free: 800-888-3078



*THE ILLUSTRATION PROVIDED MAY VARY FROM THE PRODUCT PURCHASED. THIS DOCUMENT IS TO BE USED AS A REFERENCE, ACCESSORIES SUCH AS HEADBOARD BRACKETS, ADDITIONAL LEGS, AND CASTERS MAY BE REQUESTED AT ADDITIONAL CHARGE.

ELECTRICAL SPECIFICATION AND CERTIFICATIONS

MAXIMUM DAILY USAGE

Duty Cycle: 10%.

2 min. / 18 min.

PACEMAKER WARNING

This product may produce a vibrating sensation. It is possible that individuals with heart assist pacemakers may experience a sensation similar to exercise. Consult physician for complete information.

SIZE	A	B	C	D	WEIGHT
T80	24.8	38.0	78.9	63.5	73 lbs.
F74	40.2	53.3	73.4	63.5	90 lbs.
Q80	40.2	59.1	78.9	63.5	97 lbs.
K	55.9	76.1	78.9	63.5	129 lbs.
CK	55.9	72.2	82.8	63.5	129 lbs.

Dimensions : ± .25

Unit : Inches

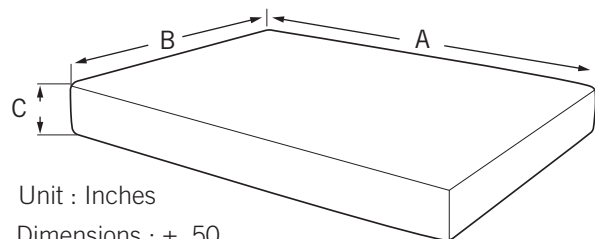
MAX WEIGHT

850 lbs (385.5KG)

evenly distributed across base
(includes mattress and all occupants)

PACKAGING / SHIPPING

PACKAGED DIMENSIONS AND WEIGHT



Unit : Inches

Dimensions : ± .50

SIZE	A	B	C	WEIGHT	VOLUME
T80	41.1	41.9	5.9	80 lbs.	5.9 ft.
F74	56.5	39.2	5.9	99 lbs.	7.6 ft.
Q80	62.2	41.9	5.9	106 lbs.	8.9 ft.
K	78.9	41.9	5.9	142 lbs.	11.3 ft.
CK	75.0	43.9	5.9	142 lbs.	11.3 ft.

NOTE:

All packaged weight values ± 5 lb. (2.27 kg.)

SHIPPING PACKAGED PRODUCT
meets ISTA 3B Performance Test for
Individual Packaged Product Weighing
Over 150 lb (68 kg.).