

BAS-X

HFC



Bas-X HFC is a low-profile, finished upholstered adjustable base from Leggett & Platt Consumer Products. This foldable foundation features head and foot articulation to ensure a relaxing position for watching TV, reading, or sleeping. Bas-X HFC also includes an entry-level light feature for added safety in the dark and a high lift capacity – up to 850 lbs.

- Head and foot articulation
- Foldable foundation with less than a 1" profile
- Wireless remote
- 850 lb. weight capacity
- 6 steel legs
- Remote flashlight
- One-touch flat button
- Sync cable included for split size

BASICS MODEL ADJUSTABLE BASE



BLACK UPHOLSTERY

SIZE	ITEM NO.
twin xl	4X0351
full	4X0355
queen	4X0352
single king	4X0353
single cal king	4X0354



head and foot



foldable foundation



850 lb lift capacity



flashlight

LPCConsumerProducts.com

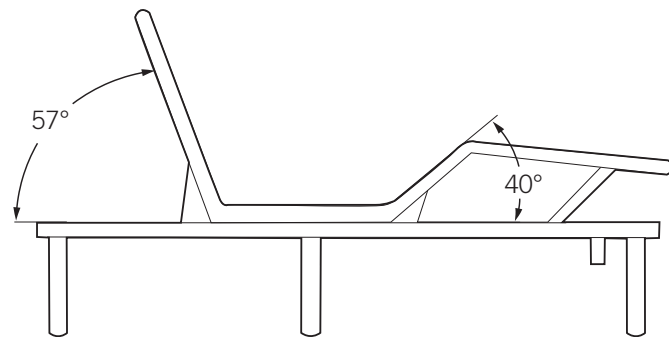
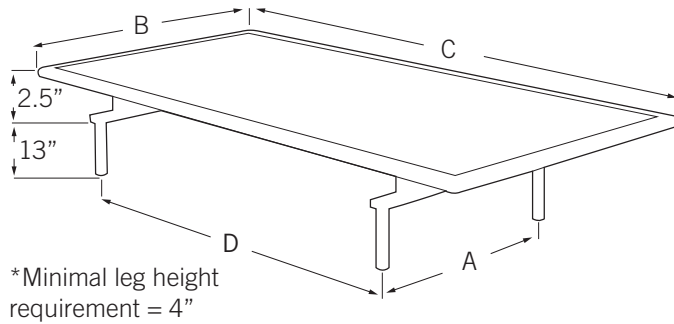
Leggett & Platt
CONSUMER PRODUCTS

Value without compromise™

Bas-X HFC

Specifications

For warranty/support information,
call toll free: 800-888-3078



*THE ILLUSTRATION PROVIDED MAY VARY FROM THE PRODUCT PURCHASED. THIS DOCUMENT IS TO BE USED AS A REFERENCE, ACCESSORIES SUCH AS HEADBOARD BRACKETS, ADDITIONAL LEGS, AND CASTERS MAY BE REQUESTED AT ADDITIONAL CHARGE.

ELECTRICAL SPECIFICATION AND CERTIFICATIONS

REMOTE CONTROL RADIO
FREQUENCY
2.4GHz

MAXIMUM DAILY USAGE

Duty Cycle: 10%.
2 min. / 18 min.

PACEMAKER WARNING

This product may produce a vibrating sensation. It is possible that individuals with heart assist pacemakers may experience a sensation similar to exercise. Consult physician for complete information.

SIZE	A	B	C	D	WEIGHT
T80	24.8	38.0	78.9	60.4	94 lbs.
F74	40.2	53.3	73.4	60.4	116 lbs.
Q80	40.2	59.1	78.9	60.4	127 lbs.
K	55.9	76.1	78.9	60.4	158 lbs.
CK	55.9	72.2	82.8	60.4	158 lbs.

Dimensions : $\pm .25$

Unit : Inches

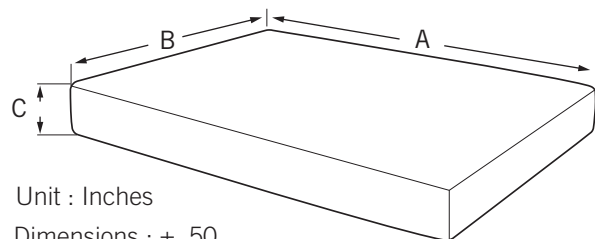
MAX WEIGHT

850 lbs (385.5KG)

evenly distributed across base
(includes mattress and all occupants)

PACKAGING / SHIPPING

PACKAGED DIMENSIONS AND WEIGHT



Unit : Inches

Dimensions : $\pm .50$

SIZE	A	B	C	WEIGHT	VOLUME
T80	41.1	41.9	7.1	101 lbs.	7.1 ft.
F74	56.5	39.2	7.1	124 lbs.	9.1 ft.
Q80	62.2	41.9	7.1	134 lbs.	10.7 ft.
K	78.9	41.9	7.1	167 lbs.	13.6 ft.
CK	75.0	43.9	7.1	172 lbs.	13.5 ft.

NOTE:

All packaged weight values ± 5 lb. (2.27 kg.)

SHIPPING PACKAGED PRODUCT
meets ISTA 3B Performance Test for
Individual Packaged Product Weighing
Over 150 lb (68 kg.).