

PRODIGY™

PT



Prodigy™ PT is a zero-clearance, foundation style base from Leggett & Platt Consumer Products that pairs well with solid surface platforms. It features head and foot articulation with an added pillow tilt so the user can always find the comfort position best for them. Prodigy PT also includes Wallhugger® technology, which lifts the user up while simultaneously gliding them back, and a wireless remote with preset memory positions.

- Head, foot, and pillow articulation
- Zero-clearance foundation with a 3.5" profile
- Wallhugger® technology keeps your nightstand within reach
- Capacitive-touch wireless remote
- Bluetooth app controls for Apple and Android devices
- 850 lb. weight capacity
- Height-adjustable legs
- Anti-snore, zero gravity, and one programmable custom position
- Remote flashlight and under-bed light
- One-touch flat button
- Dual USB ports (Type A and C)
- Dual massage with wave technology
- Emergency power-down
- Sync cable included for split sizes

PREMIUM MODEL ADJUSTABLE BASE



BLACK UPHOLSTERY

SIZE	ITEM NO.
twin xl	4AW345
full	4AW349
queen	4AW347
king	4AW350
cal king	4AW351



dual USB hub



dual massage



app



under-bed lighting



wallhugger®



850 lb lift capacity

LPCConsumerProducts.com

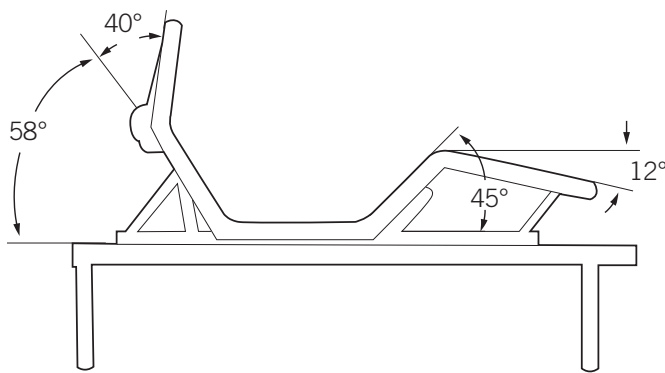
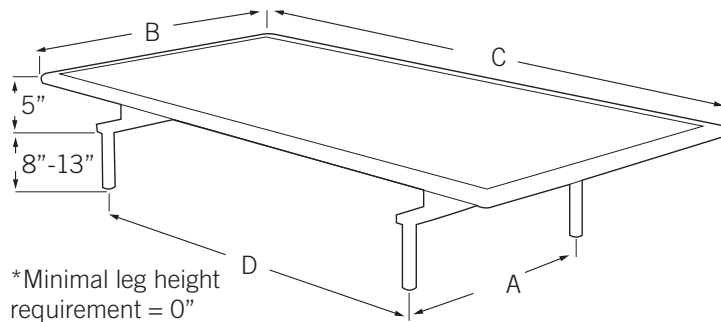
Leggett & Platt
CONSUMER PRODUCTS

Value without compromise™

PRODIGY PT

Specifications

For warranty/support information,
call toll free: 800-888-3078



*THE ILLUSTRATION PROVIDED MAY VARY FROM THE PRODUCT PURCHASED. THIS DOCUMENT IS TO BE USED AS A REFERENCE, ACCESSORIES SUCH AS HEADBOARD BRACKETS, ADDITIONAL LEGS, AND CASTERS MAY BE REQUESTED AT ADDITIONAL CHARGE.

ELECTRICAL SPECIFICATION AND CERTIFICATIONS

REMOTE CONTROL
Wireless, Bluetooth Enabled
Radio Frequency: 2.4GHz

MAXIMUM DAILY USAGE

Duty Cycle: 10%.
2 min. / 18 min.

PACEMAKER WARNING

This product may produce a vibrating sensation. It is possible that individuals with heart assist pacemakers may experience a sensation similar to exercise. Consult physician for complete information.

SIZE	A	B	C	D	WEIGHT
T74	26	37.5	74	58	136 lbs.
T80	36	53	80	58	140 lbs.
F74	36	53	74	58	162 lbs.
F80	36	53	80	58	166 lbs.
Q80	36	59	80	58	180 lbs.
K	45.5	75.5	80	58	178 lbs.
CK	45.5	36	84	58	179 lbs.

Dimensions : ± .25

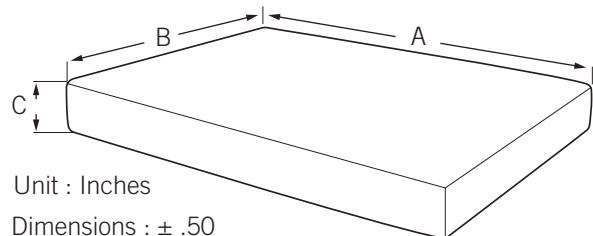
Unit : Inches

MAX WEIGHT

850 lbs (385.5KG)
evenly distributed across base
(includes mattress and all occupants)

PACKAGING / SHIPPING

PACKAGED DIMENSIONS AND WEIGHT



Unit : Inches

Dimensions : ± .50

SIZE	A	B	C	WEIGHT	VOLUME
T74	76	40	5.75	154.8 lbs.	10.26 ft.
T80	82	40	5.75	159.5 lbs.	11.07 ft.
F74	76	55	5.75	183.5 lbs.	14.13 ft.
F80	82	55	5.75	188.5 lbs.	15.25 ft.
Q80	82	61	5.75	204.5 lbs.	16.92 ft.
K	78	42.5	11.25	210 lbs.	21.28 ft.
CK	75	44.5	11.25	211 lbs.	21.43 ft.

NOTE:

All packaged weight values ± 5 lb. (2.27 kg.)

SHIPPING PACKAGED PRODUCT

meets ISTA 3B Performance Test for Individual Packaged Product Weighing Over 150 lb (68 kg.).