

S-CAPE®

HF



S-Cape HF is a clear upgrade from the original S-Cape adjustable base of Leggett & Platt Consumer Products. This base is a zero-clearance foundation and pairs well with solid surface platform beds. S-Cape HF also includes head and foot articulation so the user can find the ideal comfort position, and has dual massage with wave capabilities.

- Head and foot articulation
- Zero-clearance foundation ideal for use with platform beds
- Wallhugger® technology keeps your nightstand within reach
- Foundation style
- Capacitive-touch wireless remote
- Optional app available with accessory upgrade
- 850 lb. weight capacity
- Height-adjustable legs
- Anti-snore, zero gravity, and one programmable custom position
- Remote flashlight and under-bed light
- One-touch flat button
- Dual USB ports (Type A and C)
- Dual massage with wave technology
- Emergency power-down
- Safety lock
- Sync cable included for split sizes

LPCConsumerProducts.com

PERFORMANCE MODEL ADJUSTABLE BASE



CHARCOAL GRAY
UPHOLSTERY

SIZE	ITEM NO.
twin xl	4AW338
full	4AW342
queen	4AW340
single king	4AW343
single cal king	4AW344



zero clearance



walhugger®



dual USB hub



dual massage



850 lb lift capacity



under-bed lighting

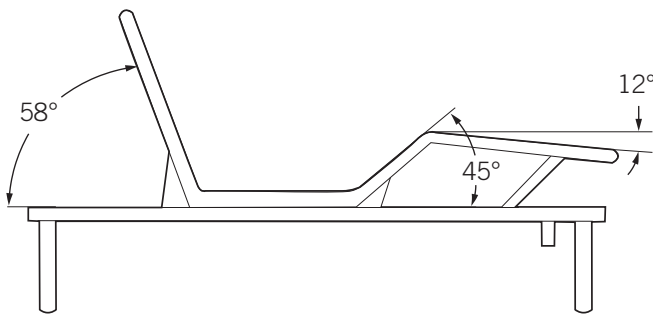
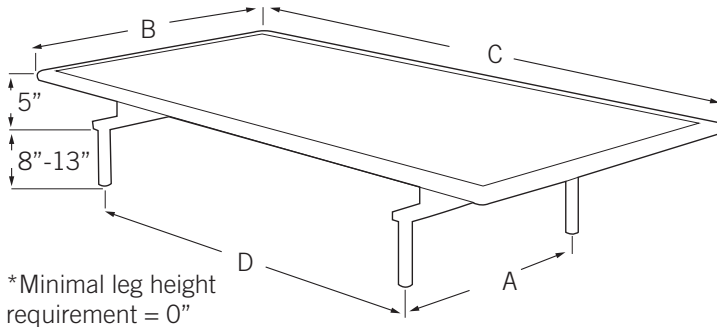
Leggett & Platt
CONSUMER PRODUCTS

Value without compromise™

S-CAPE HF

Specifications

For warranty/support information,
call toll free: 800-888-3078



*THE ILLUSTRATION PROVIDED MAY VARY FROM THE PRODUCT PURCHASED. THIS DOCUMENT IS TO BE USED AS A REFERENCE, ACCESSORIES SUCH AS HEADBOARD BRACKETS, ADDITIONAL LEGS, AND CASTERS MAY BE REQUESTED AT ADDITIONAL CHARGE.

ELECTRICAL SPECIFICATION AND CERTIFICATIONS

REMOTE CONTROL

Wireless, Bluetooth Enabled
Radio Frequency: 2.4GHz

MAXIMUM DAILY USAGE

Duty Cycle: 10%.
2 min. / 18 min.

PACEMAKER WARNING

This product may produce a vibrating sensation. It is possible that individuals with heart assist pacemakers may experience a sensation similar to exercise. Consult physician for complete information.

SIZE	A	B	C	D	WEIGHT
T74	26	37.5	74	60	112 lbs.
T80	26	37.5	80	60	120 lbs.
Q80	36	59	80	60	151 lbs.
F74	36	53	74	60	148 lbs.
F80	36	53	80	60	143 lbs.
K	45.5	75.5	80	60	178 lbs.
CK	45.5	36	84	60	179 lbs.

Dimensions : ± .25

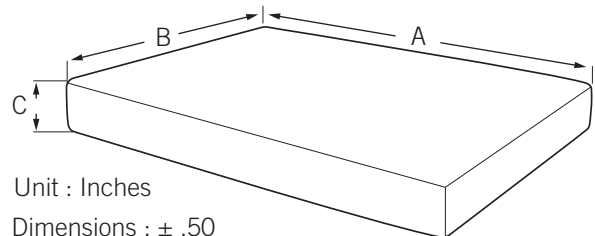
Unit : Inches

MAX WEIGHT

850 lbs (385.5KG)
evenly distributed across base
(includes mattress and all occupants)

PACKAGING / SHIPPING

PACKAGED DIMENSIONS AND WEIGHT



Unit : Inches

Dimensions : ± .50

SIZE	A	B	C	WEIGHT	VOLUME
T74	76	40	5.5	130.75 lbs.	10.26 ft.
T80	82	40	5.5	139.5 lbs.	11.07 ft.
Q80	82	61	5.5	175.5 lbs.	14.13 ft.
F74	76	55	5.5	169.5 lbs.	15.25 ft.
F80	82	55	5.5	165.5 lbs.	16.92 ft.
K	78	42.5	11.25	210 lbs.	21.28 ft.
CK	75	44.5	11.25	211 lbs.	21.43 ft.

NOTE:

All packaged weight values ± 5 lb. (2.27 kg.)

SHIPPING PACKAGED PRODUCT
meets ISTA 3B Performance Test for
Individual Packaged Product Weighing
Over 150 lb (68 kg.).