

SIMPLICITY

HF



Simplicity HF is a high-value, zero-clearance adjustable base from Leggett & Platt Consumer Products that pairs well with solid surface platforms. It features an under-bed light and two programmable, preset base positions that are controlled from a wireless, glass-top 12-button remote. Simplicity HF also includes a high lift capacity – up to 850 lbs. – and head and foot articulation for the perfect comfort position regardless of if the user is reading, sleeping, or watching TV.

- Head and foot articulation
- Foundation with 2" profile
- Zero-clearance foundation compatible with most platform beds
- Capacitive-touch wireless remote
- 850 lb. weight capacity
- Height-adjustable legs
- Two programmable pre-set positions
- Remote flashlight and under-bed light
- One-touch flat button
- Safety lock
- Sync cable included for split sizes

VALUE MODEL ADJUSTABLE BASE



CHARCOAL GRAY
UPHOLSTERY

SIZE	ITEM NO.
twin xl	4AW331
full	4AW335
queen	4AW333
single king	4AW336
single cal king	4AW337



zero clearance



850 lb lift capacity



flashlight



under-bed lighting

LPCConsumerProducts.com

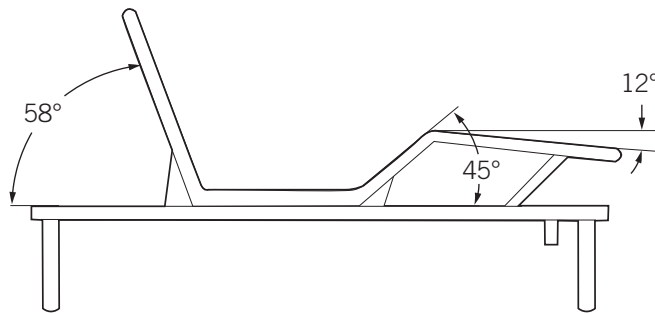
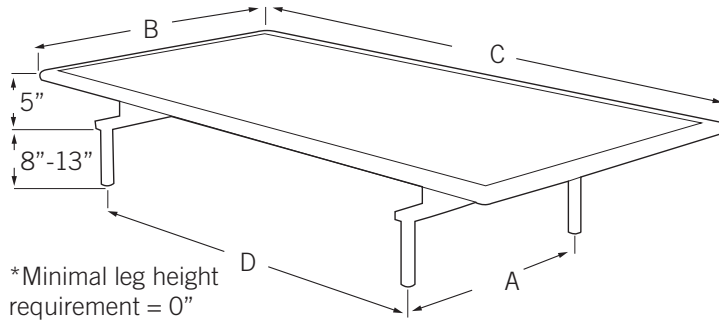
Leggett & Platt
CONSUMER PRODUCTS

Value without compromise™

SIMPLICITY HF

Specifications

For warranty/support information,
call toll free: 800-888-3078



*THE ILLUSTRATION PROVIDED MAY VARY FROM THE PRODUCT PURCHASED. THIS DOCUMENT IS TO BE USED AS A REFERENCE, ACCESSORIES SUCH AS HEADBOARD BRACKETS, ADDITIONAL LEGS, AND CASTERS MAY BE REQUESTED AT ADDITIONAL CHARGE.

ELECTRICAL SPECIFICATION AND CERTIFICATIONS

REMOTE CONTROL

Radio Frequency: 2.4GHz

MAXIMUM DAILY USAGE

Duty Cycle: 10%.
2 min. / 18 min.

PACEMAKER WARNING

This product may produce a vibrating sensation. It is possible that individuals with heart assist pacemakers may experience a sensation similar to exercise. Consult physician for complete information.

SIZE	A	B	C	D	WEIGHT
T74	26	37.5	74	60	112 lbs.
T80	26	37.5	80	60	120 lbs.
Q80	36	59	80	60	151 lbs.
F74	36	53	74	60	148 lbs.
F80	36	53	80	60	143 lbs.
K	45.5	75.5	80	60	178 lbs.
CK	45.5	36	84	60	179 lbs.

Dimensions : ± .25

Unit : Inches

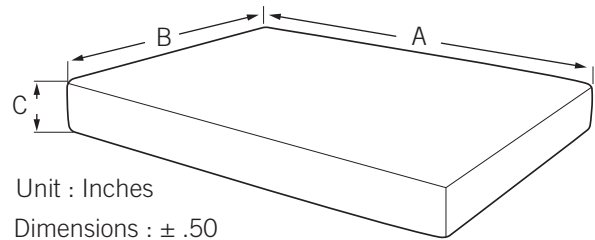
MAX WEIGHT

850 lbs (385.5KG)

evenly distributed across base
(includes mattress and all occupants)

PACKAGING / SHIPPING

PACKAGED DIMENSIONS AND WEIGHT



Unit : Inches

Dimensions : ± .50

SIZE	A	B	C	WEIGHT	VOLUME
T74	76	40	5.5	130.75 lbs.	10.26 ft.
T80	82	40	5.5	139.5 lbs.	11.07 ft.
Q80	82	61	5.5	175.5 lbs.	14.13 ft.
F74	76	55	5.5	169.5 lbs.	15.25 ft.
F80	82	55	5.5	165.5 lbs.	16.92 ft.
K	78	42.5	11.25	210 lbs.	21.28 ft.
CK	75	44.5	11.25	211 lbs.	21.43 ft.

NOTE:

All packaged weight values ± 5 lb. (2.27 kg.)

SHIPPING PACKAGED PRODUCT

meets ISTA 3B Performance Test for Individual Packaged Product Weighing Over 150 lb (68 kg.).