

SIMPLICITY

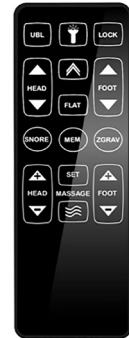
HFM



Simplicity HFM is a high-value, feature-focused adjustable base from Leggett & Platt Consumer Products. It is a zero-clearance base that pairs well with solid surface platforms and features head and foot articulation so the user can find the exact comfort position that suits them best. Simplicity HFM also includes a dual massage wave feature and wireless, glass-top 18-button remote with two programmable, preset positions.

- Head and foot articulation
- Zero-clearance foundation compatible with most platform beds
- Foundation with 2" profile
- Capacitive-touch wireless remote
- 850 lb. weight capacity
- Height-adjustable legs
- Two programmable pre-set positions
- Remote flashlight and under-bed light
- One-touch flat button
- Dual USB ports (Type A and C)
- Dual massage with wave technology
- Emergency power-down
- Safety lock
- Sync cable included for split sizes

VALUE MODEL ADJUSTABLE BASE



CHARCOAL GRAY
UPHOLSTERY

| SIZE | ITEM NO. |
|-----------------|----------|
| twin xl | 4AW366 |
| full | 4AW370 |
| queen | 4AW368 |
| single king | 4AW371 |
| single cal king | 4AW372 |



dual USB hub



dual massage



zero clearance



850 lb lift capacity



flashlight



under-bed lighting

LPCConsumerProducts.com

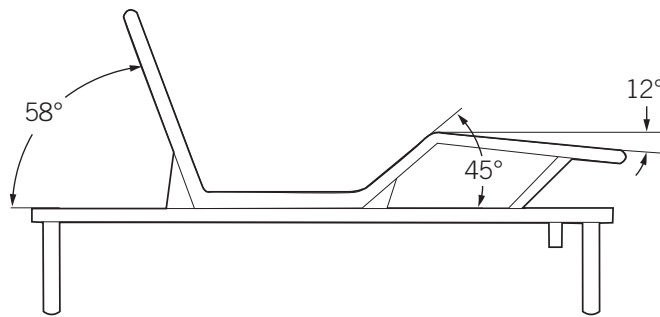
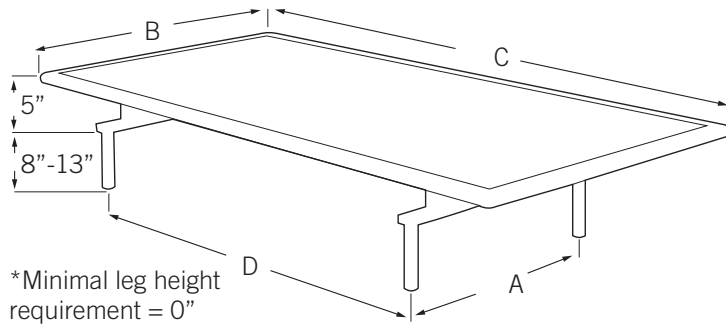
Leggett & Platt
CONSUMER PRODUCTS

Value without compromise™

SIMPLICITY HFM

Specifications

For warranty/support information,
call toll free: 800-888-3078



*THE ILLUSTRATION PROVIDED MAY VARY FROM THE PRODUCT PURCHASED. THIS DOCUMENT IS TO BE USED AS A REFERENCE, ACCESSORIES SUCH AS HEADBOARD BRACKETS, ADDITIONAL LEGS, AND CASTERS MAY BE REQUESTED AT ADDITIONAL CHARGE.

ELECTRICAL SPECIFICATION AND CERTIFICATIONS

REMOTE CONTROL

Radio Frequency: 2.4GHz

MAXIMUM DAILY USAGE

Duty Cycle: 10%.

2 min. / 18 min.

PACEMAKER WARNING

This product may produce a vibrating sensation. It is possible that individuals with heart assist pacemakers may experience a sensation similar to exercise. Consult physician for complete information.

| SIZE | A | B | C | D | WEIGHT |
|------|------|------|----|----|----------|
| T74 | 26 | 37.5 | 74 | 60 | 117 lbs. |
| T80 | 26 | 37.5 | 80 | 60 | 125 lbs. |
| Q80 | 36 | 59 | 80 | 60 | 156 lbs. |
| F74 | 36 | 53 | 74 | 60 | 153 lbs. |
| F80 | 36 | 53 | 80 | 60 | 148 lbs. |
| K | 45.5 | 75.5 | 80 | 60 | 188 lbs. |
| CK | 45.5 | 36 | 84 | 60 | 189 lbs. |

Dimensions : ± .25

Unit : Inches

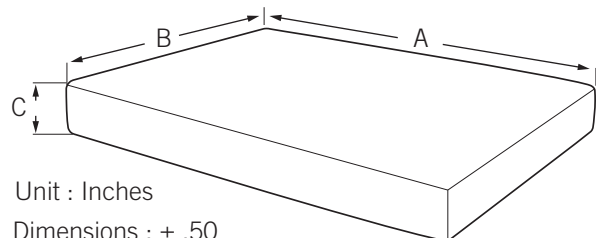
MAX WEIGHT

850 lbs (385.5KG)

evenly distributed across base
(includes mattress and all occupants)

PACKAGING / SHIPPING

PACKAGED DIMENSIONS AND WEIGHT



Unit : Inches

Dimensions : ± .50

| SIZE | A | B | C | WEIGHT | VOLUME |
|------|----|------|-------|-------------|-----------|
| T74 | 76 | 40 | 5.5 | 135.75 lbs. | 10.26 ft. |
| T80 | 82 | 40 | 5.5 | 144.5 lbs. | 11.07 ft. |
| Q80 | 82 | 61 | 5.5 | 180.5 lbs. | 14.13 ft. |
| F74 | 76 | 55 | 5.5 | 174.5 lbs. | 15.25 ft. |
| F80 | 82 | 55 | 5.5 | 170.5 lbs. | 16.92 ft. |
| K | 78 | 42.5 | 11.25 | 220 lbs. | 21.28 ft. |
| CK | 75 | 44.5 | 11.25 | 221 lbs. | 21.43 ft. |

NOTE:

All packaged weight values ± 5 lb. (2.27 kg.)

SHIPPING PACKAGED PRODUCT
meets ISTA 3B Performance Test for
Individual Packaged Product Weighing
Over 150 lb (68 kg.).