

# SYMMETRY INC



**Symmetry INC** is a foundation style base from Leggett & Platt Consumer Products. It offers a full-bed incline, along with head and foot articulation, so the user can always find the comfort position that's right for them. Symmetry INC also includes a dual massage with wave feature, and a wireless remote with preset memory positions and one-touch flat button.

- Head and foot articulation
- Full-bed incline
- Foundation with 3.5" profile
- Capacitive-touch wireless remote
- Bluetooth app controls for Apple and Android devices
- 850 lb. weight capacity
- Height-adjustable legs
- Anti-snore, zero gravity, and one programmable custom position
- Remote flashlight and under-bed light
- One-touch flat button
- Dual USB ports (Type A)
- Dual massage with wave technology
- Emergency power-down
- Sync cable included for split sizes

LPConsumerProducts.com

## PERFORMANCE MODEL ADJUSTABLE BASE



CHARCOAL GRAY  
UPHOLSTERY

SIZE	ITEM NO.
twin xl	4X0361
full xl	4X0362
queen	4X0363
split cal king	4X0364



head, foot, bed incline



dual USB hub



dual massage



flashlight



under-bed lighting



850 lb lift capacity

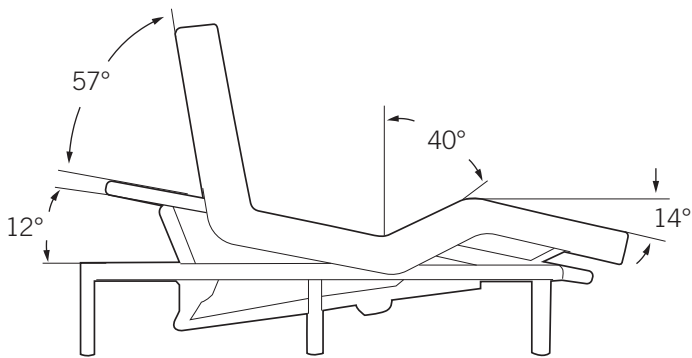
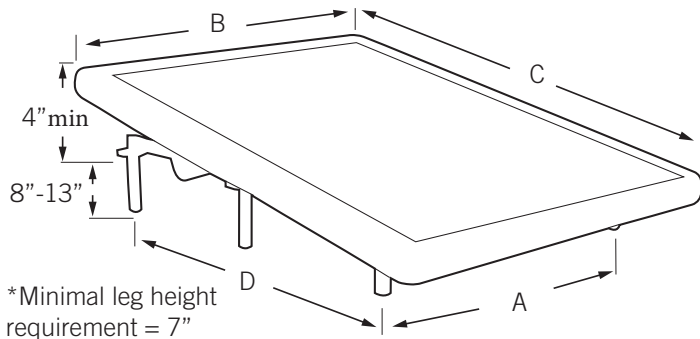
*Leggett & Platt*  
CONSUMER PRODUCTS

**Value** without compromise™

# SYMMETRY INC

## Specifications

For warranty/support information,  
call toll free: 800-888-3078



\*THE ILLUSTRATION PROVIDED MAY VARY FROM THE PRODUCT PURCHASED. THIS DOCUMENT IS TO BE USED AS A REFERENCE, ACCESSORIES SUCH AS HEADBOARD BRACKETS, ADDITIONAL LEGS, AND CASTERS MAY BE REQUESTED AT ADDITIONAL CHARGE.

### ELECTRICAL SPECIFICATION AND CERTIFICATIONS

REMOTE CONTROL RADIO FREQUENCY

Wireless, Bluetooth Enabled  
Radio Frequency: 2.4GHz

#### MAXIMUM DAILY USAGE

Duty Cycle: 10%.  
2 min. / 18 min.

#### PACEMAKER WARNING

This product may produce a vibrating sensation. It is possible that individuals with heart assist pacemakers may experience a sensation similar to exercise. Consult physician for complete information.

SIZE	A	B	C	D	WEIGHT
T80	25.0	38.0	78.9	58	149 lbs.
F80	46.1	53.3	78.9	58	194 lbs.
Q80	46.1	59.1	78.9	58	200 lbs.
SCK	25.0	35.6	82.9	58	151 lbs.

Dimensions :  $\pm .25$

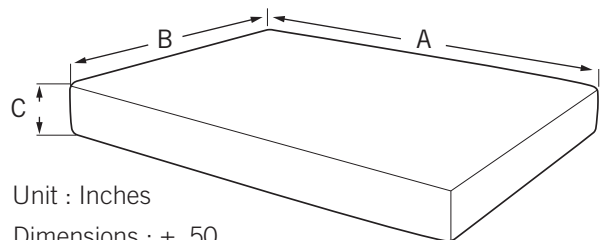
Unit : Inches

### MAX WEIGHT

850 lbs (385.5KG)  
evenly distributed across base  
(includes mattress and all occupants)

### PACKAGING / SHIPPING

PACKAGED DIMENSIONS AND WEIGHT



Unit : Inches

Dimensions :  $\pm .50$

SIZE	A	B	C	WEIGHT	VOLUME
T80	81.1	39.8	9.3	167 lbs.	17.3 ft.
F80	81.1	55.3	9.3	213 lbs.	24.0 ft.
Q80	81.1	61.0	9.3	222 lbs.	26.5 ft.
SCK	85.0	38.0	9.3	169 lbs.	17.3 ft.

#### NOTE:

All packaged weight values  $\pm 5$  lb. (2.27 kg.)

SHIPPING PACKAGED PRODUCT  
meets ISTA 3B Performance Test for  
Individual Packaged Product Weighing  
Over 150 lb (68 kg.).